

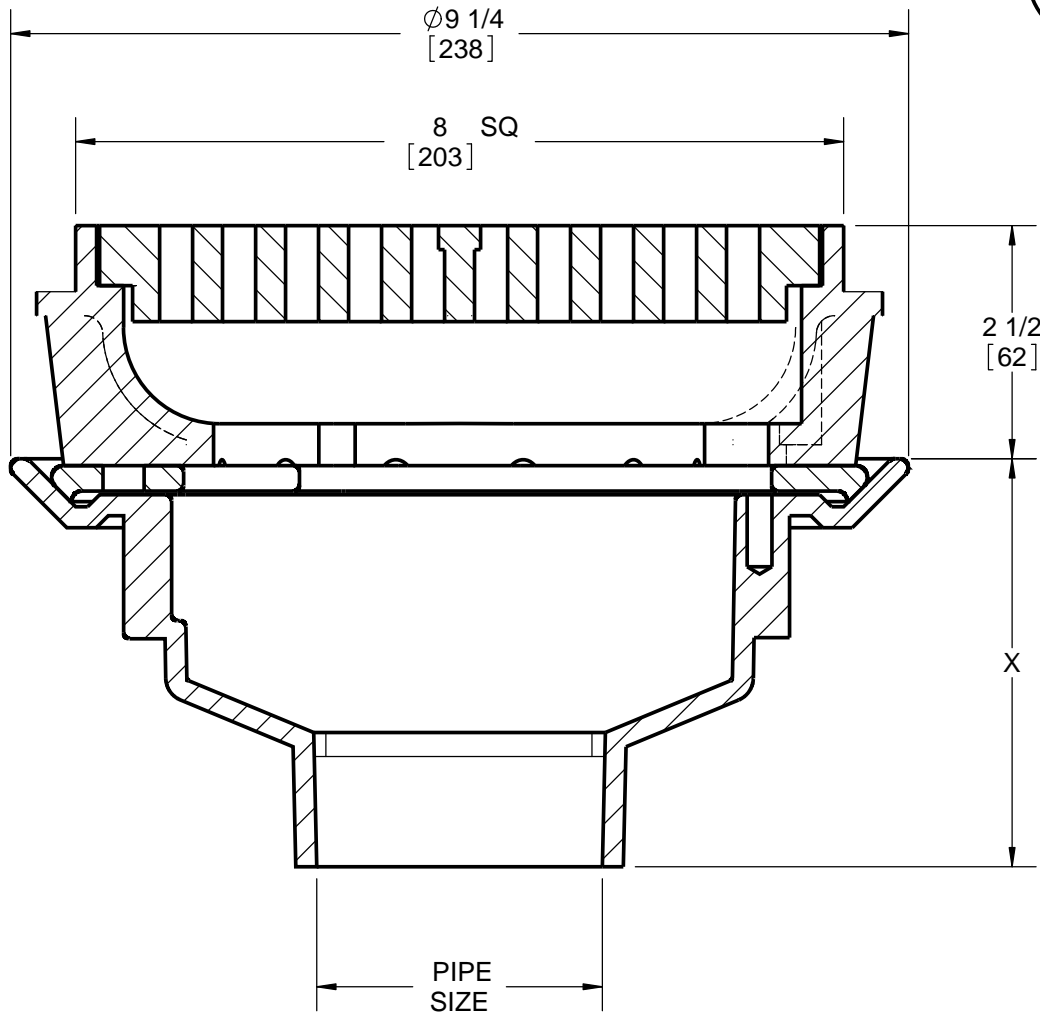
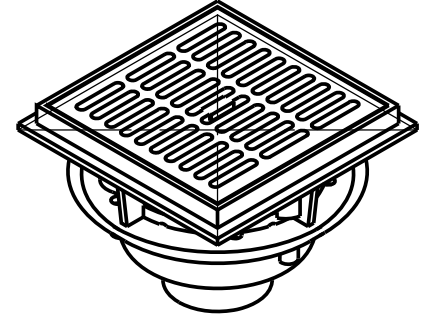
SPECIFICATION:

JOSAM 35100-PVC SERIES PVC FLOOR DRAIN, 2-PIECE BODY WITH DOUBLE-DRAINAGE FLANGE, NON-PUNCTURING CLAMP COLLAR WITH WEEPHOLES, 8" CAST IRON SQUARE TOP WITH HEAVY-DUTY LOOSE-SET CAST IRON GRATE AND SOLVENT WELD BOTTOM OUTLET FOR SCHEDULE 40 PVC PIPE

FLOOR DRAIN
PVC WITH 8" CI SQ TOP

SERIES **35100-PVC**

GRATE FREE AREA: 19.9 IN²



MODEL	PIPE SIZE	X
35102-PVC	2"	3 1/4
35103-PVC	3"	4
35104-PVC	4"	4

OPTIONS	
-1	SATIN FINISH NIKALOY TOP
-2	SATIN FINISH BRONZE TOP
-15	CHAINED GRATE
-49	3/4" PRIMER TAP
-50	1/2" PRIMER TAP

WARNING: Cancer and Reproductive Harm - www.P65Warnings.ca.gov

DATE OF LAST CHANGE: 7/03/18

DIMENSIONS ARE SUBJECT TO MANUFACTURERS TOLERANCES AND CHANGE WITHOUT NOTICE. WE CAN ASSUME NO RESPONSIBILITY FOR USE OF SUPERSEDED OR VOID DATA.



NOTES