

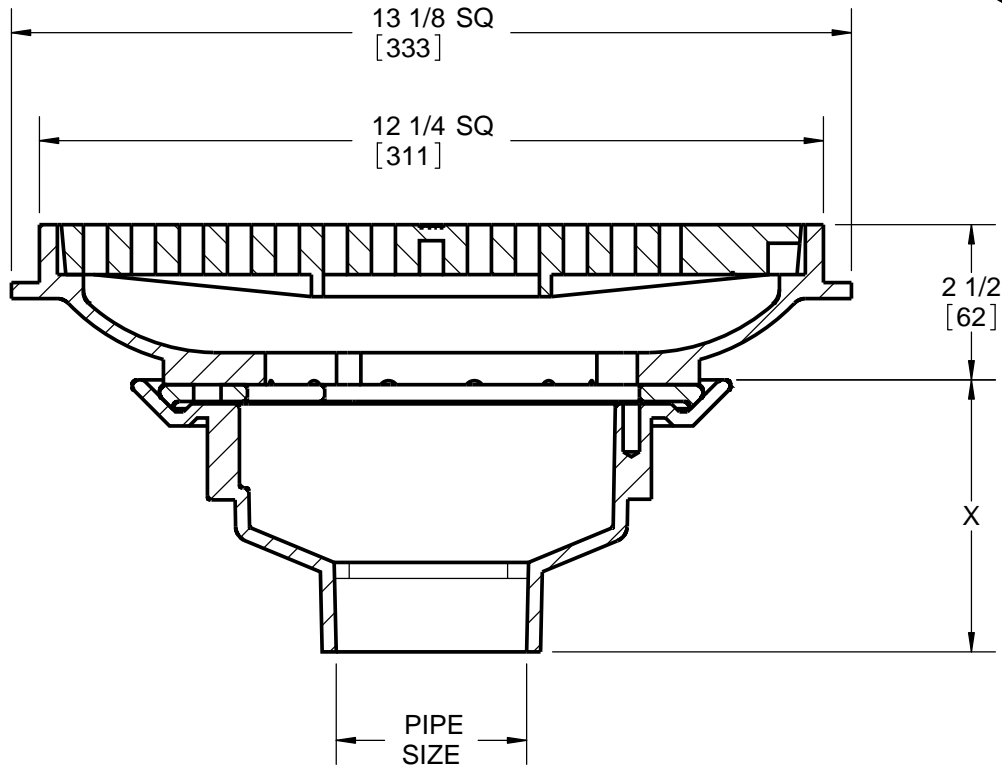
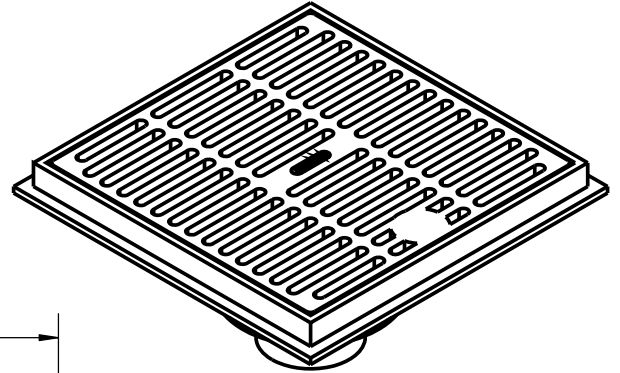
SPECIFICATION:

JOSAM 37800-PVC SERIES PVC FLOOR DRAIN, TWO-PIECE BODY WITH FLASHING FLANGE, SHALLOW BODY, NON-PUNCTURING FLASHING COLLAR, WEEPHOLES, 12" CAST IRON SQUARE TOP WITH HEAVY-DUTY LOOSE SET CAST IRON GRATE AND SOLVENT WELD BOTTOM OUTLET FOR SCHEDULE 40 PVC PIPE.

FLOOR DRAIN
PVC WITH 12" SQ CI TOP

SERIES **37800-PVC**

GRATE FREE AREA: 54.6 IN²



MODEL	PIPE SIZE	X
37802-PVC	2"	3 1/4
37803-PVC	3"	4
37804-PVC	4"	4

	OPTIONS
-VP	SECURED GRATE, VANDAL PROOF SCREWS
-14	HINGED TOP
-18	HINGED TOP WITH LATCHING DEVICE
-19	CI UNDERGRATE W/ SATIN FINISH NIKALOY TOP
-20	CI UNDERGRATE W/ SATIN FINISH BRONZE TOP
-49	3/4" PRIMER TAP
-50	1/2" PRIMER TAP

WARNING: Cancer and Reproductive Harm - www.P65Warnings.ca.gov

DATE OF LAST CHANGE: 7/03/18

DIMENSIONS ARE SUBJECT TO MANUFACTURERS TOLERANCES AND CHANGE WITHOUT NOTICE. WE CAN ASSUME NO RESPONSIBILITY FOR USE OF SUPERSEDED OR VOID DATA.



NOTES