

**SPECIFICATION:**

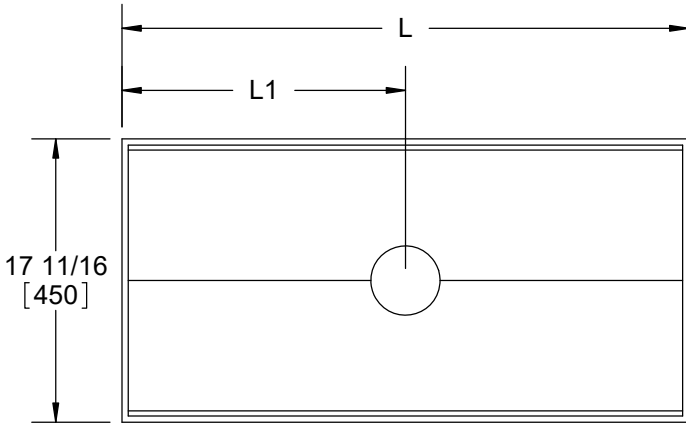
JOSAM SERIES 46800 FABRICATED STAINLESS STEEL (TYPE 304, 2mm THK) (14 ga) , 16" WIDE, V-SHAPED BOTTOM, AVAILABLE WITH OR WITHOUT SLOPE (1% STD.), WITH ANCHOR TABS AND LEVELING FEET, NO-HUB BOTTOM OUTLET AND GRATE OPTIONS. RUN LENGTHS LONGER THAN 13' PROVIDED WITH FLANGES AND GASKETS.

**SS TRENCH CHANNEL**

16" WIDE

SERIES **46800** (XY)

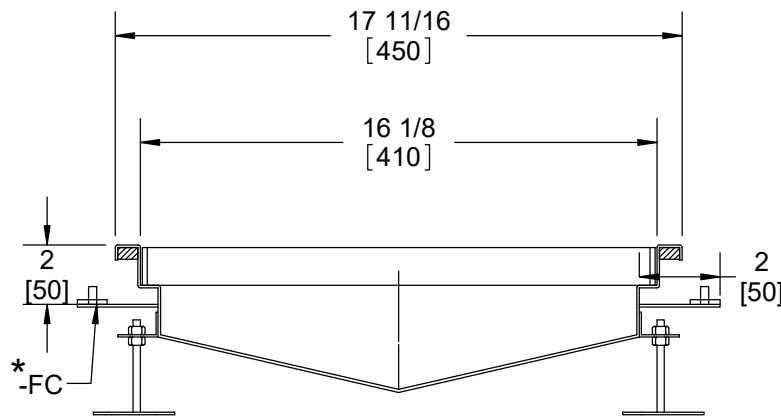
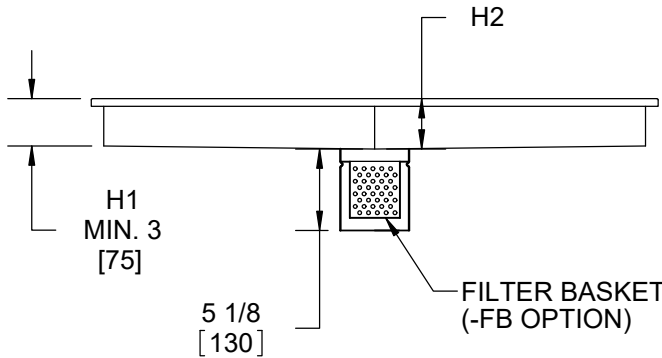
SEE 46800 TOPS DRAWING FOR GRATE DETAILS



**SPECIFICATIONS:**

- LINEAR RUN
  - TOTAL RUN LENGTH (L) = \_\_\_\_\_
  - \* START HEIGHT (H1) (STD. 3" [75]) = \_\_\_\_\_
  - HEIGHT AT OUTLET (H2) = \_\_\_\_\_
  - OR STD 1% SLOPE
  - OUTLET AT END OF RUN
  - OUTLET MID-RUN (SPEC. LNTH L1) = \_\_\_\_\_

- NON-LINEAR RUN
  - PROVIDE SKETCH WITH CRITICAL LENGTH AND HEIGHT DIMENSIONS AND OUTLET LOCATION(S).
  - \* WHEN -CF IS SPECIFIED START HEIGHT (H1) IS MIN. 4" [102]



OPTIONS: \* 2" AND 3" USE FLAT STRAINER

-FB	FILTER BASKET*
-SB	SEDIMENT BUCKET (N/A 2", 3")
-VP	SECURED GRATE
-316	TYPE 316L MATERIAL
-BW	BUTT-WELD OUTLET (SPEC. 10, 40, 80)
-PF	PUSH-FIT OUTLET DIAMETER
-FC*	FLANGE AND CLAMP

X = GRATE TYPE

0	NO GRATE
1	PERFORATED SHEET GRATE
2	ANTI-SLIP MESH GRATE
3	PERIMETER SLOT GRATE
4	LADDER GRATE

Y = OUTLET SIZE

2"
3"
4"
6"
8"

AUTHORIZED PROJECT SIGNATURE AND DATE:

NAME:

TITLE:

SIGNATURE:

DATE:

*NOTE: ALL SS TRENCH CHANNELS ARE CUSTOM FABRICATED. ORDERS ARE NON-CANCELLABLE AND NON-RETURNABLE.*

WARNING: Cancer and Reproductive Harm - www.P65Warnings.ca.gov

DATE OF LAST CHANGE: 01/31/20

DIMENSIONS ARE SUBJECT TO MANUFACTURERS TOLERANCES AND CHANGE WITHOUT NOTICE. WE CAN ASSUME NO RESPONSIBILITY FOR USE OF SUPERSEDED OR VOID DATA.



MICHIGAN CITY, INDIANA

NOTES