

SPECIFICATION:

JOSAM SERIES 47200 FABRICATED STAINLESS STEEL (TYPE 304, 1.5 mm), 3/4" SLOT, V-SHAPED BOTTOM, AVAILABLE WITH OR WITHOUT SLOPE (1% STD.), WITH ANCHOR TABS AND LEVELING FEET, OUTLET BOX WITH BOTTOM CONNECTION AND GRATE OPTIONS. RUN LENGTHS LONGER THAN 13' PROVIDED WITH FLANGES, GASKETS, AND HARDWARE.

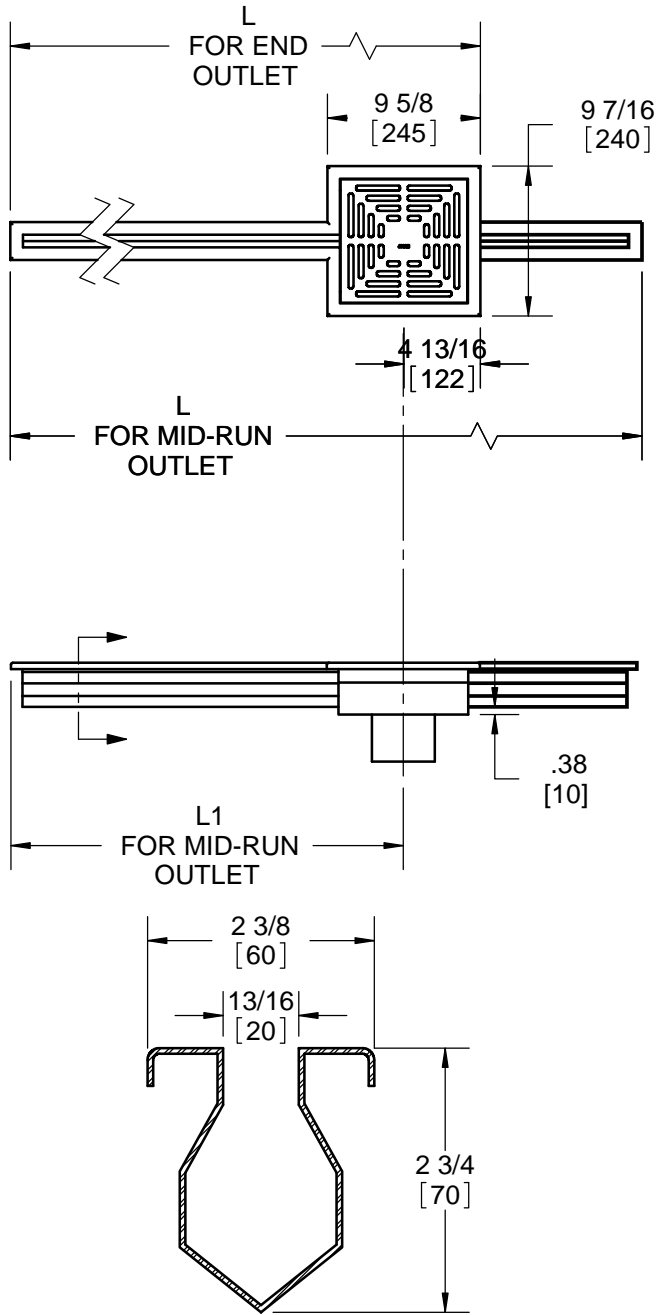
SS SLOT CHANNEL

3/4" [20 mm] SLOT WIDTH

(XY)

SERIES

47200



SPECIFICATIONS:

LINEAR RUN

- TOTAL RUN LENGTH (L) = _____
- START HT. (H1) (STD. 2.8" [70]) = _____
- HT. AT OUTLET BOX (H2) = _____
- OR STD 1% SLOPE
- OUTLET AT END OF RUN
- OUTLET MID-RUN (SPEC. LENGH L1) = _____

NON-LINEAR RUN

PROVIDE SKETCH WITH CRITICAL LENGTH AND HEIGHT DIMENSIONS AND OUTLET LOCATION(S).

AUTHORIZED PROJECT SIGNATURE AND DATE:

NAME: _____

TITLE: _____

SIGNATURE: _____

DATE: _____

NOTE: ALL SS SLOT CHANNELS ARE CUSTOM FABRICATED. ORDERS ARE NON-CANCELLABLE AND NON-RETURNABLE.

* 2" AND 3" OUTLETS COME WITH FLAT STRAINER

OPTIONS:

-FB	FILTER BASKET*
-SB	SEDIMENT BUCKET (4" OUTLET ONLY)
-VP	SECURED GRATE
-316	TYPE 316L MATERIAL
-BW	BUTT-WELD OUTLET (SPEC. 10, 40, 80)

X = OUTLET BOX GRATE TYPE

0	NO GRATE
1	PERFORATED SHEET GRATE
2	ANTI-SLIP MESH GRATE
3	PERIMETER SLOT GRATE
4	LADDER GRATE

Y = OUTLET SIZE

2"
3"
4"

WARNING: Cancer and Reproductive Harm - www.P65Warnings.ca.gov

DATE OF LAST CHANGE: 7/19/18

DIMENSIONS ARE SUBJECT TO MANUFACTURERS TOLERANCES AND CHANGE WITHOUT NOTICE. WE CAN ASSUME NO RESPONSIBILITY FOR USE OF SUPERSEDED OR VOID DATA.



NOTES