

SPECIFICATION:

JOSAM SERIES 47300 FABRICATED STAINLESS STEEL (TYPE 304, 1.5 mm), 3" WIDE, V-SHAPED BOTTOM, AVAILABLE WITH OR WITHOUT SLOPE (1% STD.), WITH ANCHOR TABS AND LEVELING FEET, OUTLET BOX WITH BOTTOM CONNECTION AND PERFORATED GRATE. RUN LENGTHS LONGER THAN 13' PROVIDED WITH FLANGES, GASKETS, AND HARDWARE.

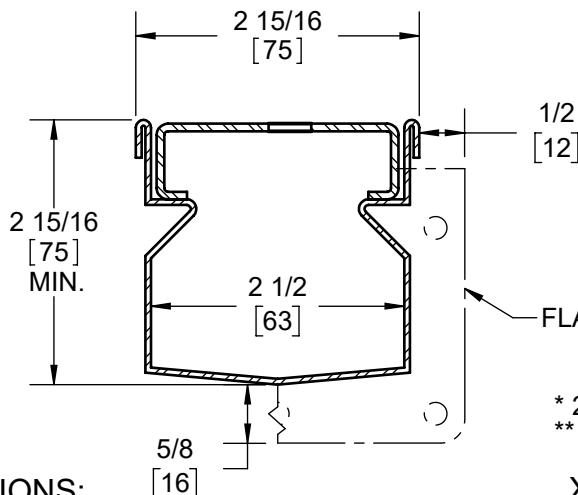
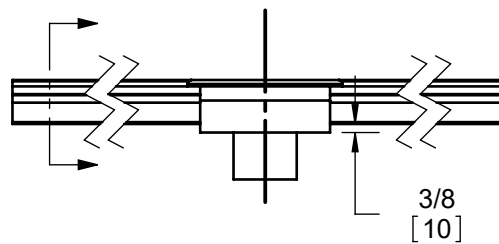
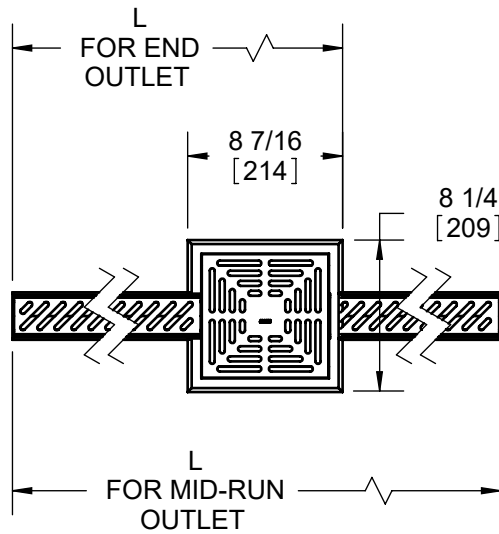
SS MINI CHANNEL

3" WIDE

(XY)

SERIES

47300



SPECIFICATIONS:

LINEAR RUN

TOTAL RUN LENGTH (L) = _____

START HT. (H1) (STD. 3.0" [75]) = _____

HT. AT OUTLET BOX (H2) = _____

OR STD 1% SLOPE

OUTLET AT END OF RUN

OUTLET MID-RUN (SPEC. LENG L1) = _____

NON-LINEAR RUN

PROVIDE SKETCH WITH CRITICAL LENGTH AND HEIGHT DIMENSIONS AND OUTLET LOCATION(S).

AUTHORIZED PROJECT SIGNATURE AND DATE:

NAME:

TITLE:

SIGNATURE:

DATE:

NOTE: ALL SS MINI CHANNELS ARE CUSTOM FABRICATED. ORDERS ARE NON-CANCELLABLE AND NON-RETURNABLE.

OPTIONS:

-FB	FILTER BASKET*
-SB	SEDIMENT BUCKET (4" OUTLET ONLY)
-VP	SECURED GRATE
-316	TYPE 316L MATERIAL
-BW	BUTT-WELD OUTLET (SPEC. 10, 40, 80)

X = GRATE TYPE

0	NO GRATE
1	PERFORATED SHEET GRATE**
2	ANTI-SLIP MESH GRATE
3	PERIMETER SLOT GRATE
4	LADDER GRATE

Y = OUTLET SIZE

2"
3"
4"

DATE OF LAST CHANGE: 8/27/20

DIMENSIONS ARE SUBJECT TO MANUFACTURERS TOLERANCES AND CHANGE WITHOUT NOTICE. WE CAN ASSUME NO RESPONSIBILITY FOR USE OF SUPERSEDED OR VOID DATA.



NOTES

WARNING: Cancer and Reproductive Harm - www.P65Warnings.ca.gov