

SPECIFICATION:

JOSAM 49420 SERIES SQUARE CAST IRON 12" DEEP SUPER-FLO-SEPTOR® FLOOR SINK WITH ACID RESISTING INTERIOR, DOUBLE DRAINAGE FLANGE WITH WEEPHOLES, BOTTOM OUTLET, ALUMINUM INTERNAL DOME STRAINER AND CAST IRON NON-TRAFFIC, ACID RESISTING SUPER FLO® ANTI-TILTING GRATE.

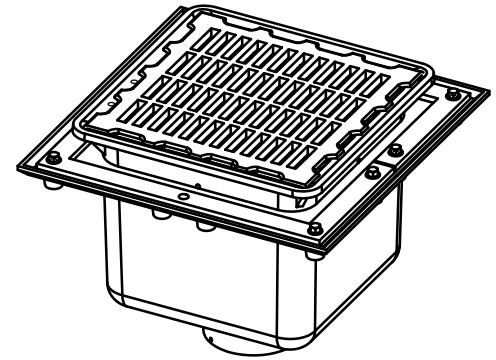
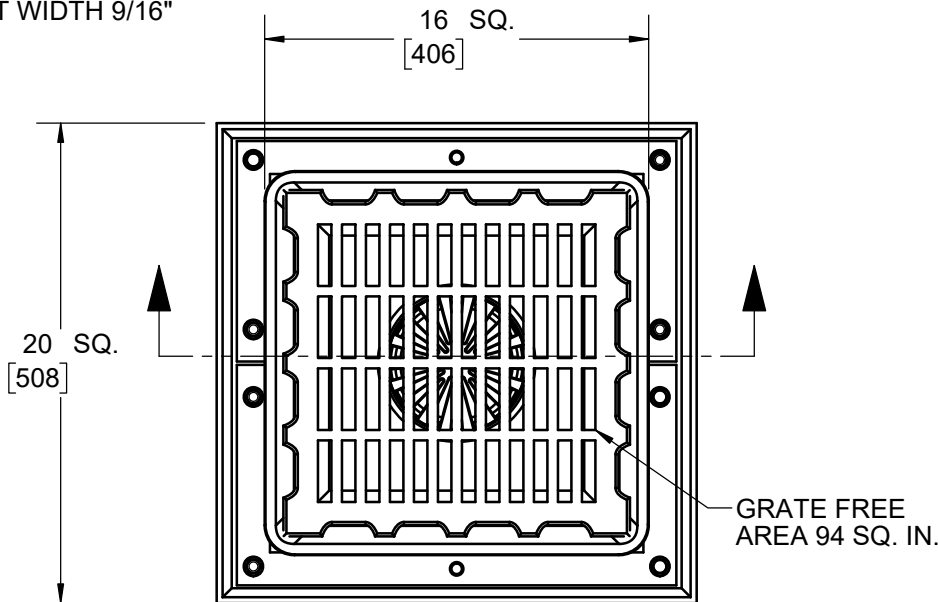
SANITARY FLOOR SINK

16" SQUARE TOP, 12" DEEP

SERIES

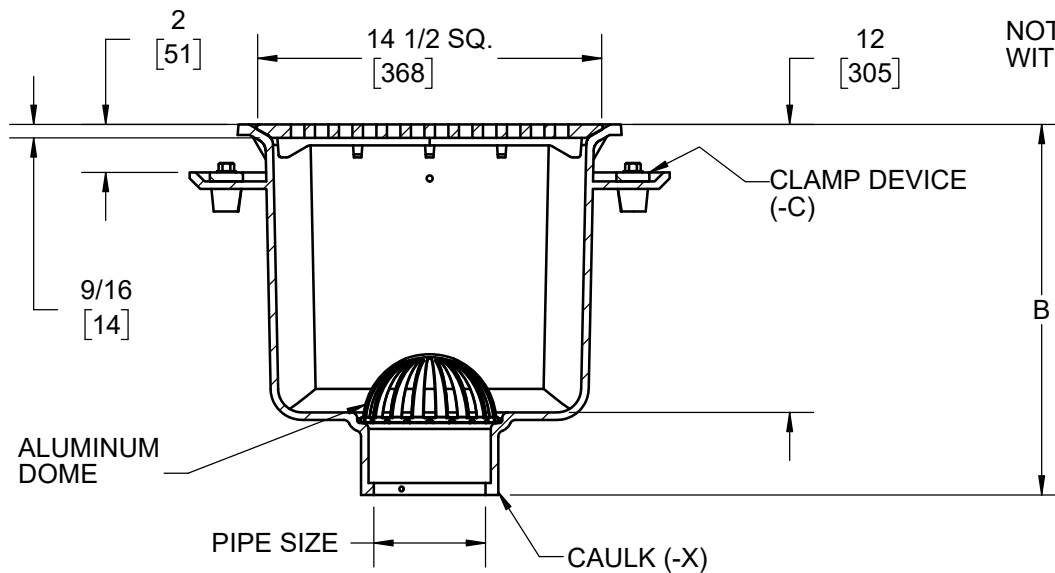
49420

SLOT WIDTH 9/16"



	PIPE SIZE	B
	3"	15-1/2"
	4"	15-1/2"
	6"	15-7/8"

NOTE: 49403 USES 49404 BODY WITH 4x3 REDUCER



Δ	Option	Description
	-LF	LESS FLANGE
	-NB	NICKEL BRONZE TRAFFIC TOP
	-LG	LESS GRATE
	-3	HALF (1/2) GRATE
	-4	THREE-QUARTER (3/4) GRATE
	-7	FULL GRATE WITH 2-1/2" CENTER OPENING
	-16	GRATE WITH 4" ROUND FUNNEL
	-17	GRATE WITH 6" ROUND FUNNEL
	-18	GRATE WITH 9" x 3-1/2" OVAL FUNNEL

	-31	SEDIMENT BUCKET, ALUMINUM
	-33	SEDIMENT BUCKET, ACID RESISTANT FINISH
	-35	BUCKET LINER (STAINLESS STEEL MESH)
*	-43	INTERNAL DOME STRAINER, ACID RESISTANT FINISH
	-45	LESS INTERNAL DOME STRAINER
	-51	GALV. CAST IRON, INSIDE AND OUTSIDE (NO ARE)
	-52	PAINTED, INSIDE AND OUTSIDE (NO ARE)
	-55	1/2" PRIMER TAP (6"), ADAPTER 88450 PROVIDED (3"-4")
	-C	CLAMP DEVICE
	-TSI	TRAP SEAL INSERT (3"-4")

Δ SEPARATE SUBMITTAL FOR THIS OPTION AVAILABLE

*MUST ALSO SPECIFY -31, -33 OPTION

DATE OF LAST CHANGE: 03/14/19

DIMENSIONS ARE SUBJECT TO MANUFACTURERS TOLERANCES AND CHANGE WITHOUT NOTICE. WE CAN ASSUME NO RESPONSIBILITY FOR USE OF SUPERSEDED OR VOID DATA.

JOSAM
MICHIGAN CITY, INDIANA

NOTES

WARNING: Cancer and Reproductive Harm - www.P65Warnings.ca.gov