

**SPECIFICATION:**

JOSAM 49700-LF SERIES RECTANGULAR CAST IRON 3-1/2" DEEP SUPER-FLO-SEPTOR® FLOOR SINK WITH ACID RESISTING INTERIOR, BOTTOM OUTLET, ALUMINUM INTERNAL SECONDARY STRAINER, CAST IRON NON-TRAFFIC ACID-RESISTING GRATE.

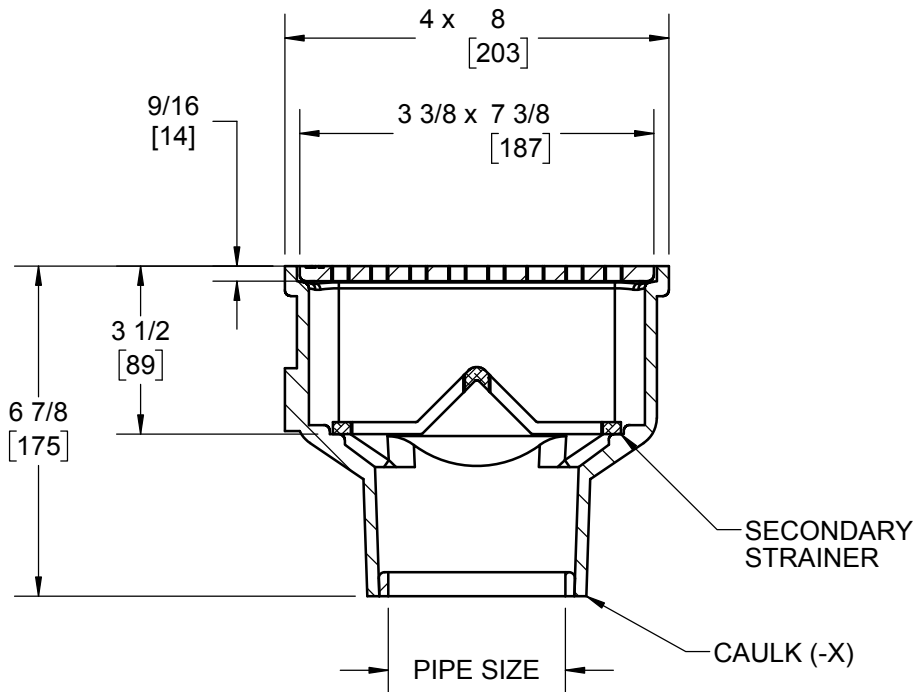
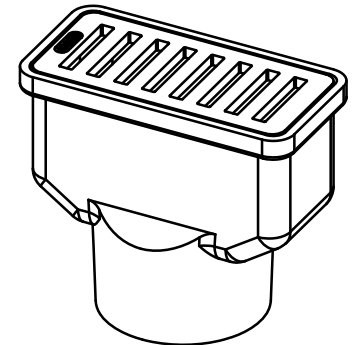
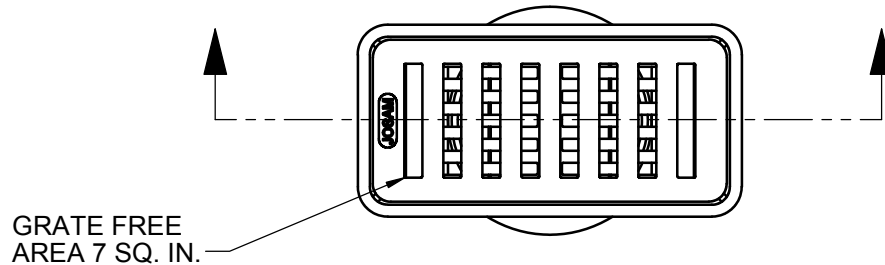
**SANITARY FLOOR SINK**

4"x8" RECTANGULAR TOP,  
3-1/2" DEEP

SERIES **49700-LF**

SLOT WIDTH 3/8"

FORMERLY 49710 SERIES



	PIPE SIZE
	2"
	3"

Δ	X	-LF	LESS FLANGE
		-NB	NICKEL BRONZE TRAFFIC TOP
		-LG	LESS GRATE
		-3	HALF (1/2) GRATE
		-4	THREE-QUARTER (3/4) GRATE
		-7	FULL GRATE WITH 2-1/2" CENTER OPENING
		-8	STAINLESS STEEL DEPRESSED GRATE
		-16	GRATE WITH 4" ROUND FUNNEL

	-30	STAINLESS STEEL SEDIMENT BUCKET
	-43	INTERNAL SECONDARY STRAINER, ACID RESISTANT FINISH
	-45	LESS INTERNAL SECONDARY STRAINER
	-51	GALV. CAST IRON, INSIDE AND OUTSIDE (NO ARE)
	-52	PAINTED, INSIDE AND OUTSIDE (NO ARE)
	-55	1/2" PRIMER ADAPTER, 88450 PROVIDED
	-X	INSIDE CAULK OUTLET

Δ SEPARATE SUBMITTAL FOR THIS OPTION AVAILABLE

DATE OF LAST CHANGE: 7/09/18

DIMENSIONS ARE SUBJECT TO MANUFACTURERS TOLERANCES AND CHANGE WITHOUT NOTICE. WE CAN ASSUME NO RESPONSIBILITY FOR USE OF SUPERSEDED OR VOID DATA.

**JOSAM**  
MICHIGAN CITY, INDIANA

NOTES