

SPECIFICATION:

JOSAM 60100-SA-RT SERIES EPOXY COATED FABRICATED STEEL SEMI-AUTOMATIC GREASE INTERCEPTOR, DEEP ROUGHING FLUSH-WITH-FLOOR TYPE WITH THREADED CONNECTIONS, INTERNAL AIR-RELIEF, VISIBLE DOUBLE WALL TRAP, REMOVABLE BAFFLE, GASKETED NON-SKID COVER, GREASE RECOVERY CONE, FLEXIBLE HOSE, GREASE DRAW-OFF VALVE, FLOW CONTROL FITTING AND STEEL FRAME WITH NON-SKID COVER AND ADJUSTABLE INTERCEPTOR CARRIER BRACKETS.

GREASE INTERCEPTOR

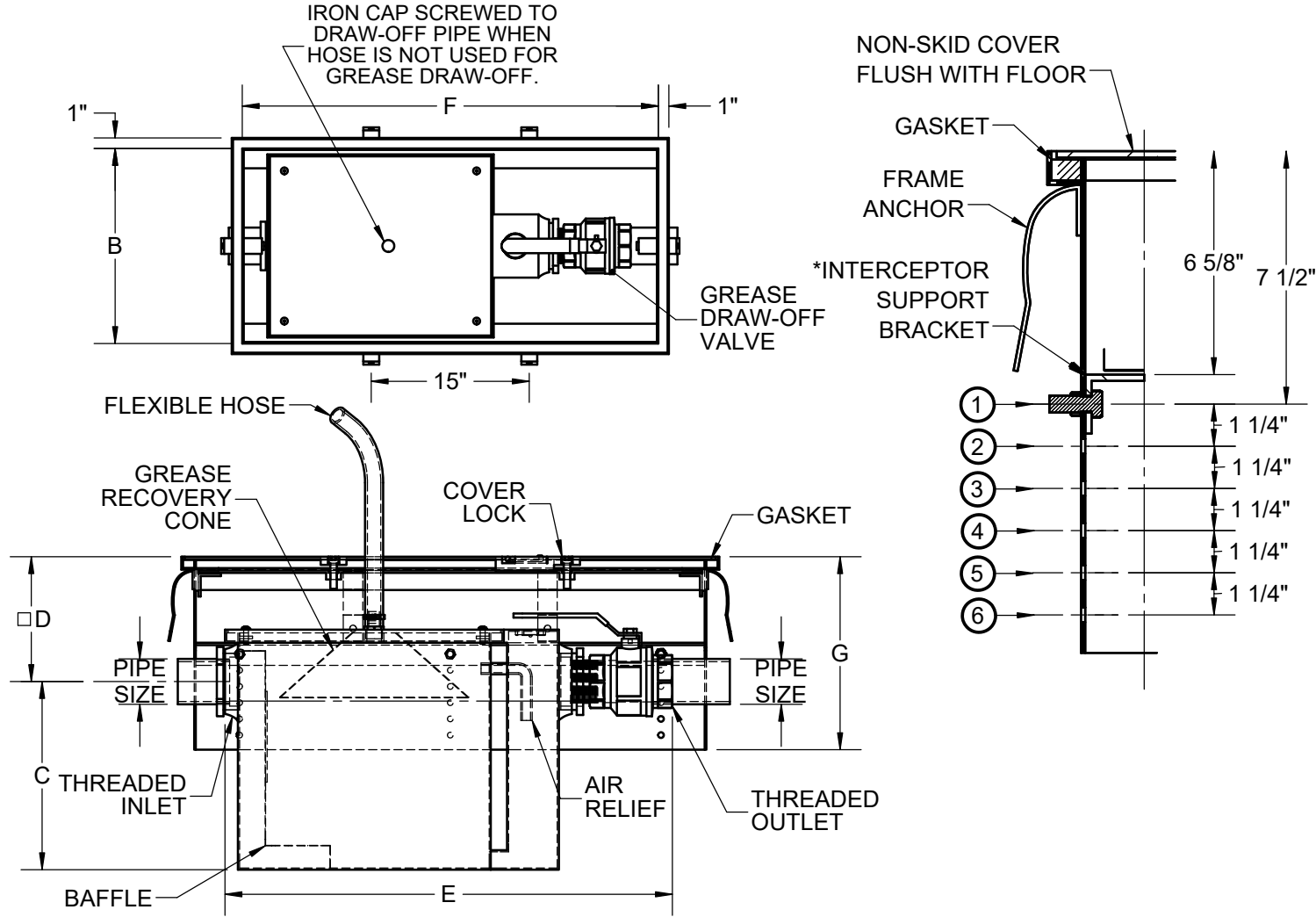
**SEMI-AUTOMATIC
RECESS TYPE**

SERIES 60100-SA-RT

FORMERLY 60130-50A SERIES

NOTE: HEIGHT OF 13" REQUIRED FROM TOP OF INTERCEPTOR TO BOTTOM OF FIXTURE.

NOTE: INTERCEPTOR SUPPORT BRACKETS ADJUSTABLE FOR VARYING DEPTHS OF FLOOR CONSTRUCTION.



*	-62	4" INLET & OUTLET (AVAIL. ON STD. 3" SIZES)
	-65	HUB INLET, SPIGOT OULET, 2"
	-66	HUB INLET, SPIGOT OULET, 3"
	-67	HUB INLET, SPIGOT OULET, 4"
	-85	ENZYMATIC PORT IN COVER
X	-RT	RECESSED TYPE

	TYPE	FLOW RATE	CAP. (LBS.)	PIPE SIZE	B	C	□D	E	F	G
	60102-SA-RT	7	14	2"	11	7-3/8	7-5/8	20-1/2	27-1/2	14-3/4
	60103-SA-RT	10	20	2"	12-5/8	8-3/8	8-1/4	22	29	14-3/4
	60104-SA-RT	15	30	2"	14-1/4	9-3/8	9-3/8	24-1/4	31-1/4	14-3/4
	60105-SA-RT	20	40	2"	16	11-1/2	10	27	34	14-3/4
	60106-SA-RT	25	50	*3"	17-1/2	13	9-3/4	32	38	14-3/4
	60107-SA-RT	35	70	*3"	18-1/2	14-1/2	9-3/8	33-5/8	39-1/2	14-7/8
	60108-SA-RT	50	100	*3"	20-1/4	15-1/2	10-1/4	37-1/4	43-1/8	14-7/8
	60109-SA-RT	75	150	*3"	22-5/8	17-1/2	11-3/8	41-1/2	46-3/4	14-7/8

*3" SIZES NORMALLY FURNISHED WITH 4"x3" REDUCING BUSHING

□ DIMENSIONS BASED ON INTERCEPTOR IN POSITION #1; ADD 1-1/4" PER EACH SUCCEEDING LOWER POSITION.

WARNING: Cancer and Reproductive Harm - www.P65Warnings.ca.gov

DATE OF LAST CHANGE: 06/15/18

DIMENSIONS ARE SUBJECT TO MANUFACTURERS TOLERANCES AND CHANGE WITHOUT NOTICE. WE CAN ASSUME NO RESPONSIBILITY FOR USE OF SUPERSEDED OR VOID DATA.



MICHIGAN CITY, INDIANA

NOTES