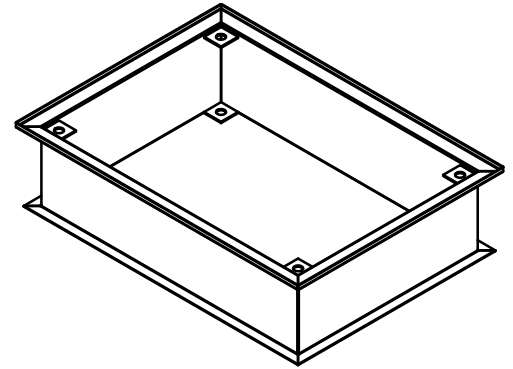
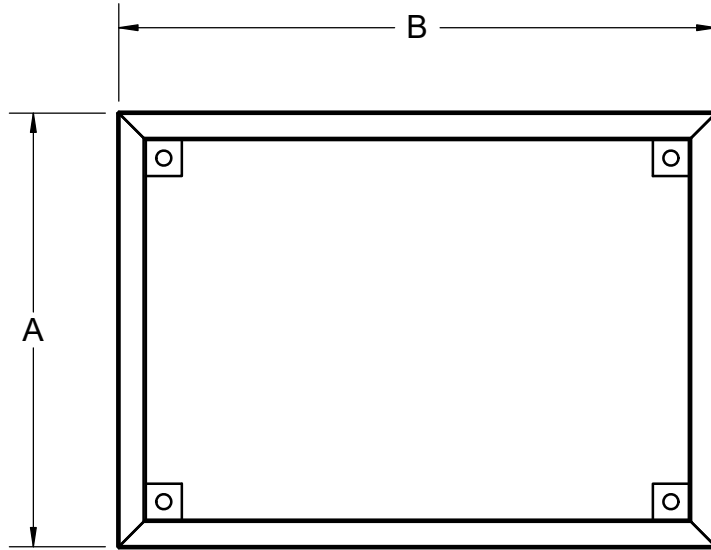


SPECIFICATION:

JOSAM SERIES 60100H-BXT EPOXY COATED FABRICATED STEEL BOLT-ON EXTENSION FOR 60100H SERIES INTERCEPTORS WITH RUBBER GASKET AND HEAVY DUTY COVER.

**GREASE INTERCEPTOR
BOLT-ON EXTENSION**

SERIES **60100H-BXT-HD**



HEAVY DUTY COVER NOT SHOWN



SPECIFY "C"

C = _____

OPTIONS
-60 AND -61
LOCATION

OPTIONS:

-60	2" WIDE ANCHOR FLANGE
-61	2" ANCHOR FLANGE WITH CLAMP

MODEL	A	B
60102H-BXT-HD	13	14-7/8
60103H-BXT-HD	14-1/2	16-5/8
60104H-BXT-HD	17	20-3/8
60105H-BXT-HD	19	20-7/8
60106H-BXT-HD	21-1/2	23-3/8
60107H-BXT-HD	23	26-1/8
60108H-BXT-HD	25-1/2	27-7/8
60109H-BXT-HD	31	41
60110H-BXT-HD	35	47

WARNING: Cancer and Reproductive Harm - www.P65Warnings.ca.gov

DATE OF LAST CHANGE: 06/12/18

DIMENSIONS ARE SUBJECT TO MANUFACTURERS TOLERANCES AND CHANGE WITHOUT NOTICE. WE CAN ASSUME NO RESPONSIBILITY FOR USE OF SUPERSEDED OR VOID DATA.



MICHIGAN CITY, INDIANA

NOTES