

**SPECIFICATION:**

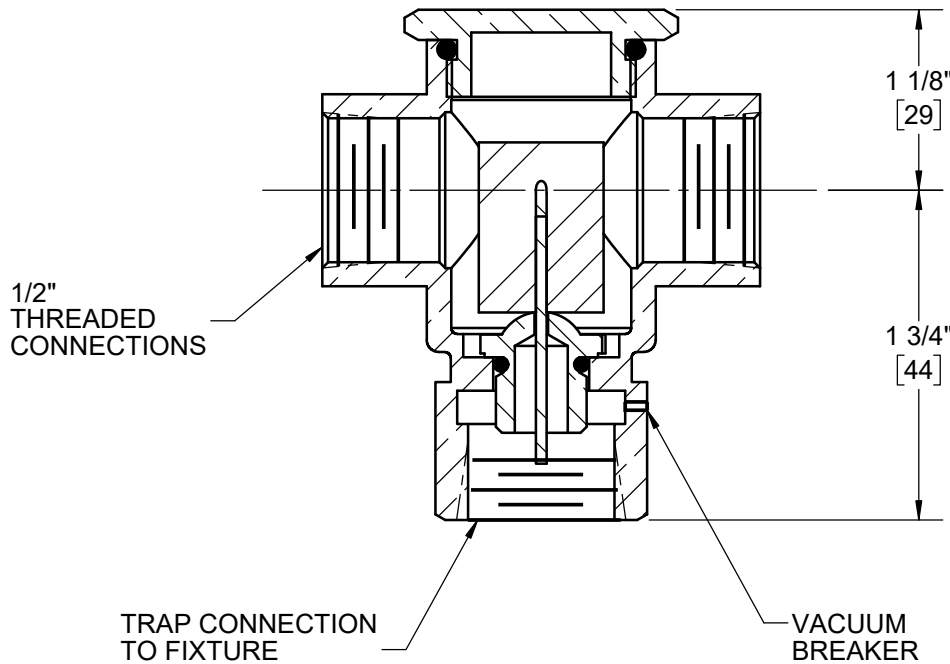
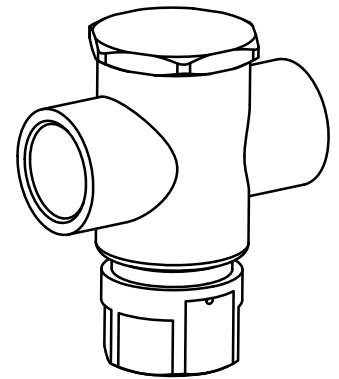
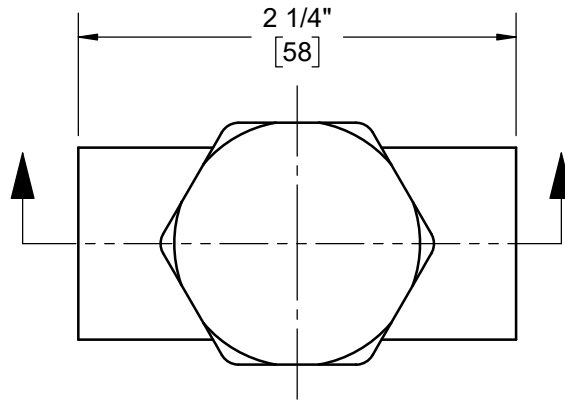
JOSAM 88250 SERIES BRONZE PRIMER VALVE WITH INTEGRAL VACUUM BREAKER AND GASKETED ACCESS COVER FOR INSTALLATION IN A COLD WATER SERVICE LINE TO A SINGLE PLUMBING FIXTURE WITH TRAP CONNECTION FOR MAINTAINING TRAP SEAL.

**TRAPS & ACCESSORIES**

**TRAP SEAL PRIMER VALVE**

SERIES

**88250**



-10	POLISHED CHROME PLATED

WARNING: Cancer and Reproductive Harm - www.P65Warnings.ca.gov

DATE OF LAST CHANGE: 06/28/18

DIMENSIONS ARE SUBJECT TO MANUFACTURERS TOLERANCES AND CHANGE WITHOUT NOTICE. WE CAN ASSUME NO RESPONSIBILITY FOR USE OF SUPERSEDED OR VOID DATA.

**JOSAM**

MICHIGAN CITY, INDIANA

NOTES