

SPECIFICATION:

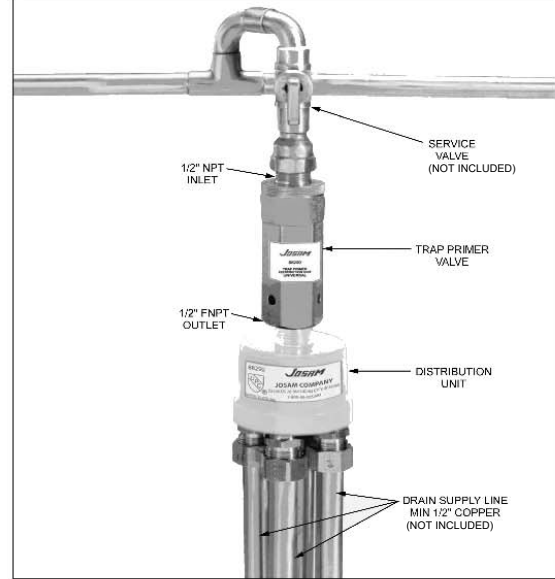
JOSAM SERIES 88300 BRASS TRAP PRIMER VALVE WITH 1/2" NPT INLET, INTEGRAL BACKFLOW PREVENTER, VACUUM BREAKER PORT, AND PLASTIC DISTRIBUTION UNIT FOR TWO TO FOUR PLUMBING FIXTURES.

TRAP PRIMER VALVE

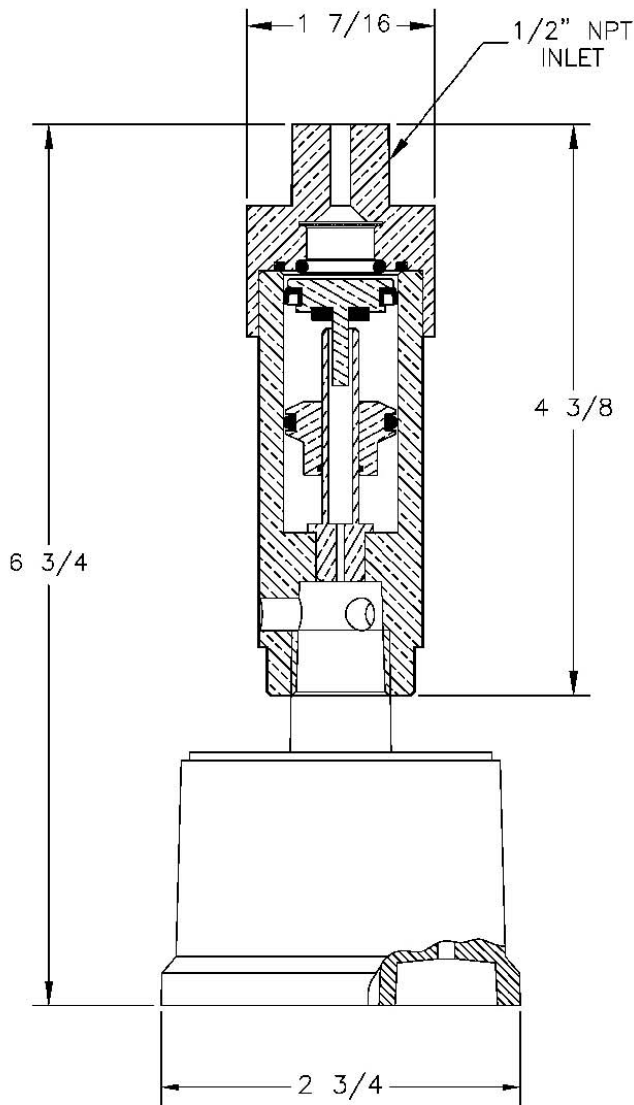
SERIES

88300

ACTIVATES AT 10 PSIG DROP
OPERATING PRESSURE: 20 - 80 PSIG
UPC ASSE 1018 APPROVED



TYPICAL INSTALL



BRASS PRIMER VALVE: 88280
PLASTIC DIST. UNIT: 88290

WARNING: Cancer and Reproductive Harm - www.P65Warnings.ca.gov

DATE OF LAST CHANGE: 06/28/18

DIMENSIONS ARE SUBJECT TO MANUFACTURERS TOLERANCES AND CHANGE WITHOUT NOTICE. WE CAN ASSUME NO RESPONSIBILITY FOR USE OF SUPERSEDED OR VOID DATA.



MICHIGAN CITY, INDIANA

NOTES