

SPECIFICATION:

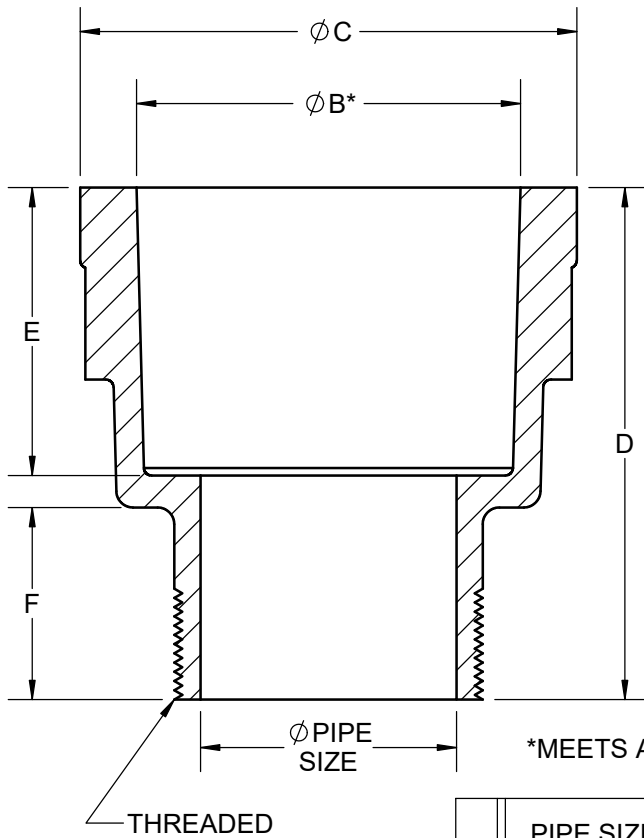
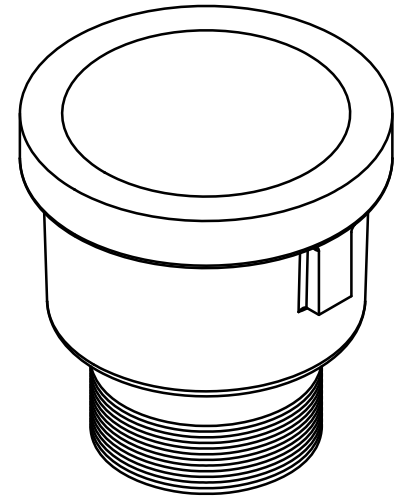
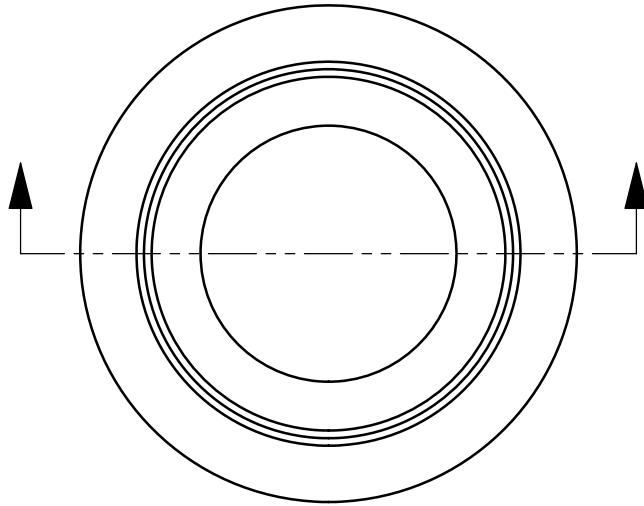
JOSAM 88560 SERIES COATED CAST IRON HUB ADAPTER WITH STANDARD CAST IRON SOIL PIPE HUB AND MALE THREADED OUTLET.

TRAPS & ACCESSORIES

HUB ADAPTER, THREADED OUTLET

SERIES

88560



*MEETS ASTM A-47 XH CAST IRON SOIL PIPE STANDARD

	PIPE SIZE	B*	C	D	E	F
	2"	3	3-7/8	4	2-1/4	1-1/2
	3"	4-1/4	5-1/8	4-1/4	2-3/8	1-1/2
	4"	5-1/4	6-1/8	4-3/8	2-3/8	1-5/8
	5"	6-1/4	7-1/8	4-3/8	2-3/8	1-3/4
	6"	7-1/4	8	4-3/8	2-3/8	1-5/8
	8"	9-1/4	10-1/2	4-3/8	2-1/4	1-3/4

-40 GALVANIZED CAST IRON PARTS

WARNING: Cancer and Reproductive Harm - www.P65Warnings.ca.gov

DATE OF LAST CHANGE: 06/28/18

DIMENSIONS ARE SUBJECT TO MANUFACTURERS TOLERANCES AND CHANGE WITHOUT NOTICE. WE CAN ASSUME NO RESPONSIBILITY FOR USE OF SUPERSEDED OR VOID DATA.



MICHIGAN CITY, INDIANA

NOTES