



PRODUCT INFORMATION

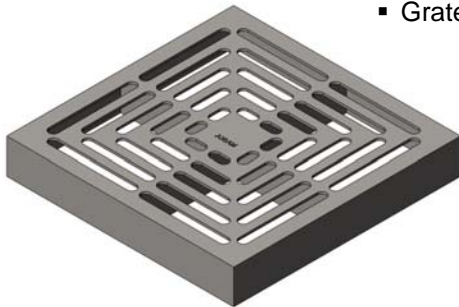
3/8/2012

45400, 45600, 45800 Stainless Steel Drain/Sink Liners

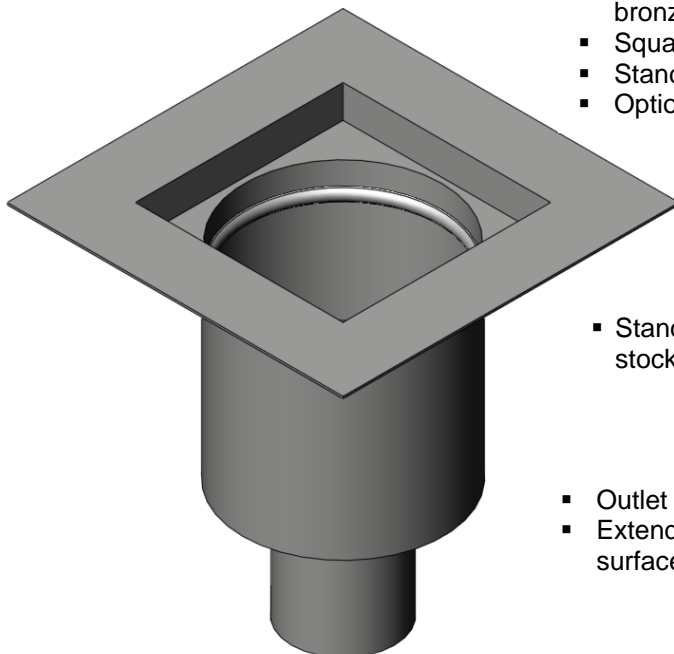
General Features

- Universal design fits most commercially available floor sinks
- Easily installs into existing floor sink
- Provides completely new waterway and appearance with the superior qualities of a stainless steel product
- Models for 8", 12", and 16" top sizes available with various depths
- Ships standard with perforated grate, but other options available
- Filter basket and sediment bucket options available
- The model numbering scheme follows the stainless steel drain concept with indicators for the top size, sump depth, and outlet for the sink sizes these liners fit

- Grate Options Available



- Flange size large enough to cover optional tops like nickel-bronze rims
- Square shape fits square and round floor sinks
- Standard flat flange allows installation without site prep work
- Optional bent edge flange (-BE) available

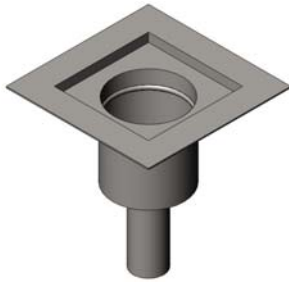


- Standard sump diameters allow use of stocked filter baskets and sediment buckets
- Outlet diameters sized to slip closely into cast iron no-hub pipe
- Extended outlet lengths ensure completely new waterway from surface to existing installed drain pipe



Product Range

**Liner for 8" Top Size
45400 Series**



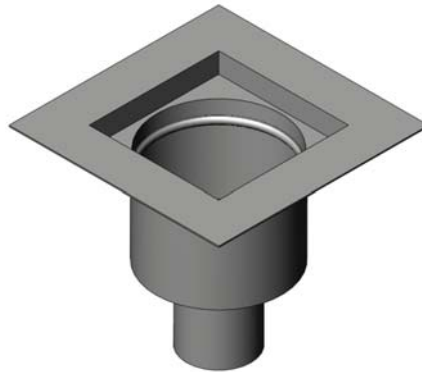
Models:
45430 - Fits 6" sump depth

Grates
Uses 41300 grate range
Perforated
Perforated $\frac{3}{4}$
Perforated $\frac{1}{2}$
Ladder

Basket/Bucket
Uses 41300 types

Outlets
2", 3", 4"

**Liners for 12" Top Size
45600 Series**



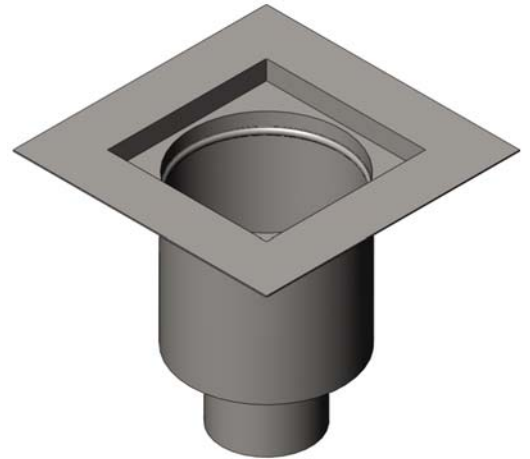
Models:
45630 - Fits 6" sump depth
45640 - Fits 8" sump depth
45650 - Fits 10" sump depth

Grates
Uses 45600 grate range
Perforated
Perforated $\frac{3}{4}$
Perforated $\frac{1}{2}$
Mesh anti-slip
Ladder
Perimeter slot

Basket/Bucket
Uses 41500 types

Outlets
2", 3", 4"

**Liners for 16" Top Size
45800 Series**



Models:
45830 - Fits 6" sump depth
45860 - Fits 12" sump depth

Grates
Uses 41600 grate range
Perforated
Perforated $\frac{3}{4}$
Perforated $\frac{1}{2}$
Mesh anti-slip
Ladder
Perimeter slot

Basket/Bucket
Uses 41600 types

Outlets
2", 3", 4", 6", 8"

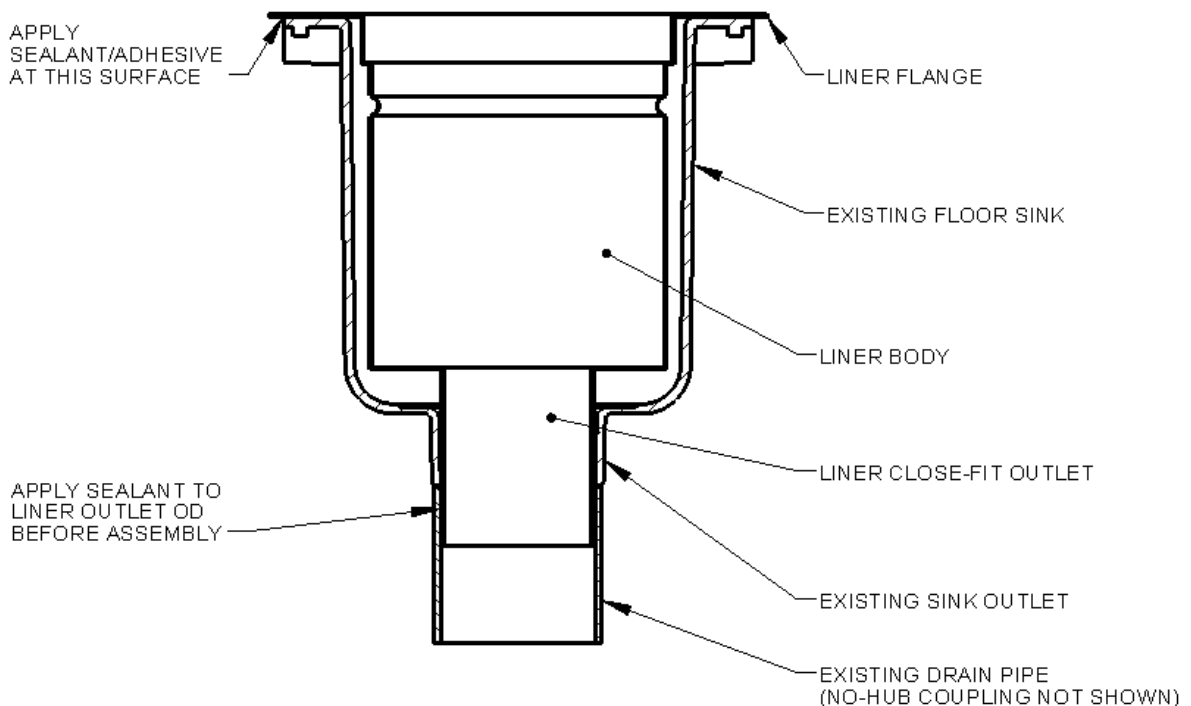


Installation

1. Confirm total height of liner will fit into existing floor drain/sink. Be sure liner outlet does not bottom out on installed drain pipe elbow or other restriction. Cut liner outlet length as needed.
2. For bent edge flange option (-BE), cut groove in floor - and fill with sealant/adhesive just before liner insertion to accept bent edge
3. Clean installed sink flange surface and immediately-surrounding floor area
4. Apply sealant to outside of liner outlet pipe
5. Apply sealant/adhesive to underside of liner flange
6. Insert liner into floor drain/sink
7. Place grate
8. Apply a surface load and protect installation for duration of cure time for sealant/adhesive

Notes:

- Correct sealants and adhesives will vary by installation site. Consult your preferred provider for best sealant/adhesive to use for stainless steel to the specific flooring surface
- Final load-bearing capacity will vary by installation. Add additional support as needed between installed sink and liner for jobsite traffic conditions.





Executive Office
2501 S. Front Street
Philadelphia, PA 19148
Phone: 215.339.5370
Fax: 800.962.3312

Corporate Office
525 West Highway 20
Michigan City, IN 46360
Phone: 800.365.6726
Fax: 800.627.0008