

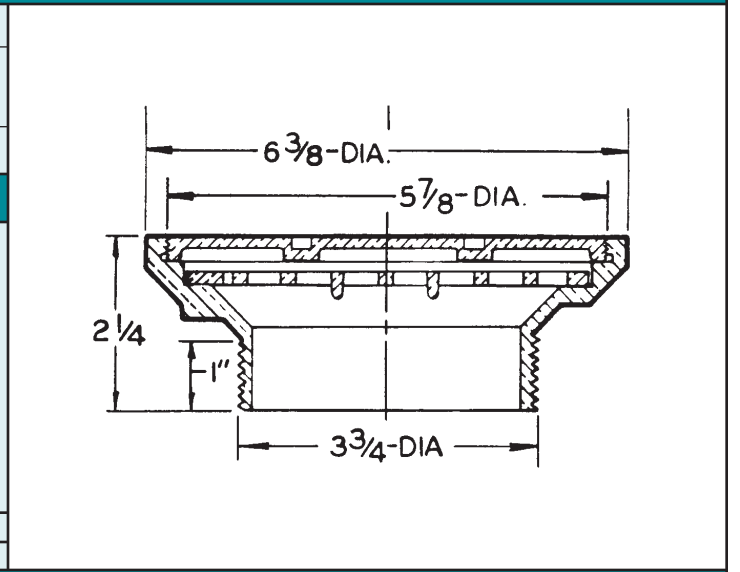
## F SERIES ROUND NIKALOY STRAINER with Solid Threaded Cover

**APPLICATION**  
 For use in pedestrian traffic areas where drainage is not a constant factor. The solid threaded cover may be removed to facilitate drainage. The secondary grate prevents debris from entering the waste line.

### Available Options

- 2 Satin Finish Bronze
- 63 Spanner Wrench
- 80 Perforated Stainless Steel Basket
- J Backwater Valve

TYPE NO.	FREE AREA	LBS.
6F	6.2	6



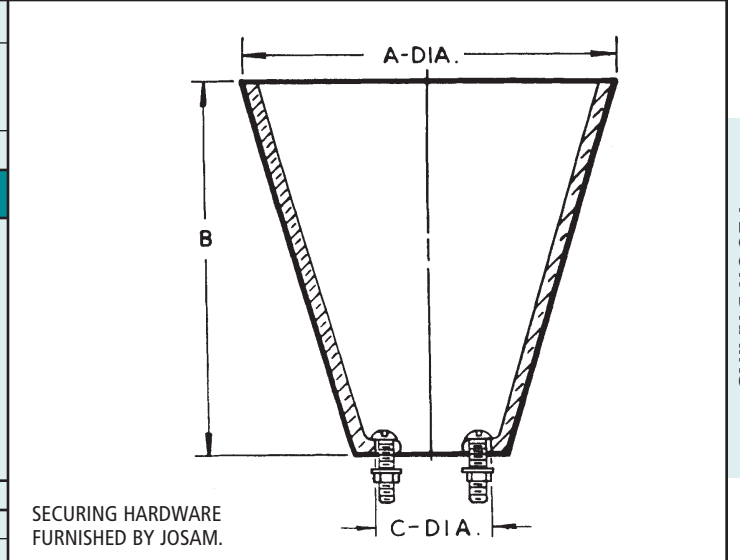
## F4 & F6 SERIES ROUND NIKALOY FUNNEL ASSEMBLIES

**APPLICATION**  
 For use in any non-traffic area. May be attached to any grate to contain condensate waste, such as under commercial kitchen equipment. May be removed to permit movement of equipment or pedestrian traffic.

### Available Options

- 2 Satin Finish Bronze
- 92 Galvanized Cast Iron
- 93 Cast Iron

TYPE NO.	A	B	C	LBS.
F4	4	3-3/4	2	3
F6	6	6	2-5/8	6



## F8 & F9 SERIES OVAL NIKALOY FUNNEL ASSEMBLIES

**APPLICATION**  
 For use in any non-traffic area. May be attached to any grate to contain condensate waste from more than one source or from sources of high volume, such as under commercial kitchen equipment. May be removed to permit movement of equipment or pedestrian traffic.

### Available Options

- 2 Satin Finish Bronze
- 92 Galvanized Cast Iron
- 93 Cast Iron

TYPE NO.	LBS.
F8	1
F9	4

