

## G SERIES ROUND NIKALOY STRAINER with Solid Hinged Cover

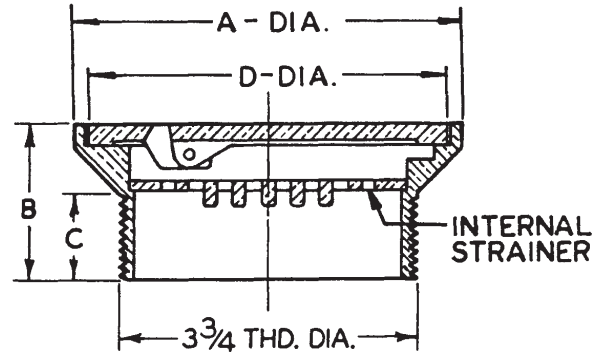
### APPLICATION

For use in pedestrian traffic areas where drainage is not a constant factor. Solid hinged cover prevents intrusion of foreign objects, which may be swept up before cover is opened for wash down. The secondary strainer prevents debris from entering the waste line.

### Available Options

- 2 Satin Finish Bronze
- J Backwater Valve
- VP Secured Grate, Vandal-Proof Screws

TYPE NO.	A	B	C	D	FREE AREA	LBS.
5G	5	2	1-1/8	4-5/8	4.1	3
6G	6	2-1/4	15/16	5-1/4	4.5	4
7G	7	3-1/4	2	6-1/2	5.7	7
8G	8	3-1/4	1-1/8	7-1/8	7.8	8



## H SERIES ROUND NIKALOY STRAINER with Hinged Grate

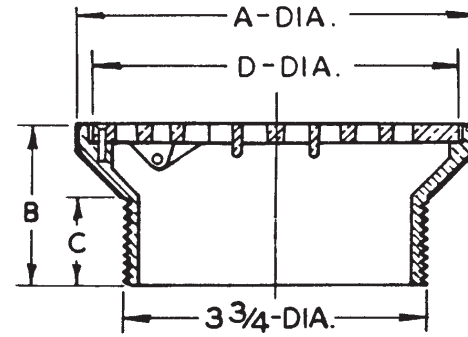
### APPLICATION

For use in pedestrian traffic areas where easy accessibility to the drain line through the hinged grate is desired.

### Available Options

- 2 Satin Finish Bronze
- 80 Perforated Stainless Steel Basket, 6H, 7H, 8H
- J Backwater Valve
- VP Secured Grate, Vandal-Proof Screws

TYPE NO.	A	B	C	D	FREE AREA	LBS.
5H	5	2	1-1/8	4-5/8	6.0	2
6H	6	2-1/4	1-1/8	5-1/4	7.8	3
7H	7	2-1/8	1	6-1/2	12.2	4
8H	8	2-1/2	1	7-1/8	16.1	5



## M SERIES ROUND CHROME PLATED OVERFLOW STANDPIPE with Dome

### APPLICATION

For use as overflow drain in fountains, decorative pools, fishponds or similar areas. Standpipe maintains the prescribed water level and dome prevents floating objects from entering the drain line.

### Available Options

- 2 Satin Finish Bronze
- 24 Less Dome
- PF Perforated Standpipe

TYPE NO.	A	B	C	OD	LBS.
2M	2	2	1-1/8	6	8
3M	3	1-3/4	1-3/8	6	10

