

## T SERIES

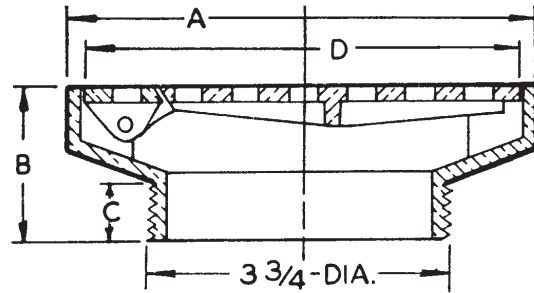
## SQUARE NIKALOY STRAINER WITH HINGED GRATE

### APPLICATION

For use in pedestrian traffic areas where square complements construction or floor finish and easy accessibility to the drain line through the hinged grate is desired.

### Available Options

- 2 Satin Finish Bronze
- 80 Perforated Stainless Steel Basket for 6T and 9T
- J Backwater Valve
- SC Solid Cover, 6T
- VP Secured Grate, Vandal-Proof Screws



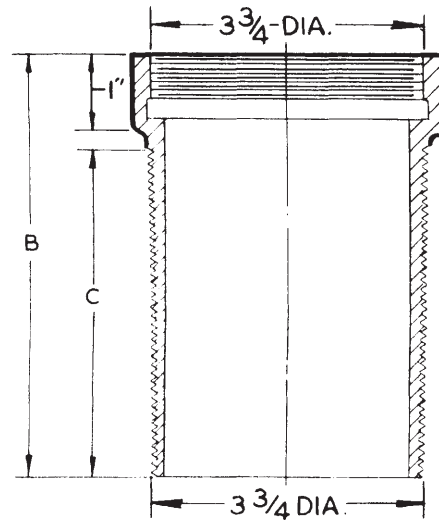
TYPE NO.	A	B	C	D	FREE AREA	LBS.
5T	4-7/8	2	7/8	4-3/8	6.5	3
6T	6	2	3/4	5-5/8	8.3	5
9T	9	2-3/8	1	8-5/8	28.6	12

## W SERIES

## CAST IRON STRAINER EXTENSION

### APPLICATION

For use in extending an adjustable strainer, which must be raised to accommodate deeper floor fill.



TYPE NO.	B	C	LBS.
2W	2-1/4	3/4	1

## WF6A & WF6S SERIES

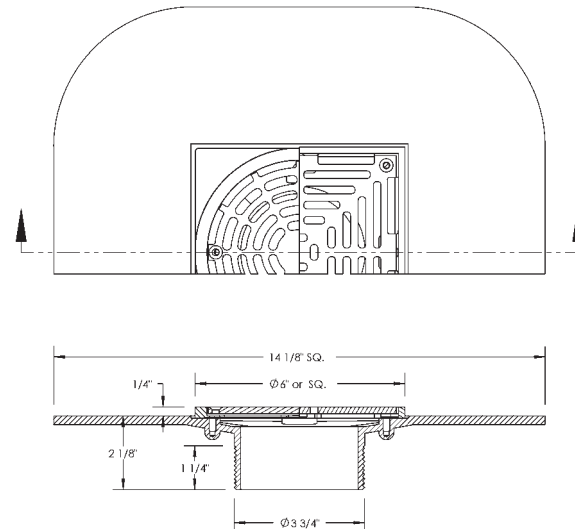
## NIKALOY STRAINERS FOR COMPOSITION DECKS

### APPLICATION

For use in pedestrian areas where a composition deck flange is necessary for the adhesion of traffic bearing deck covering.

### Available Options

- 2 Satin Finish Bronze
- 80 Perforated Stainless Steel Basket
- J Backwater Valve
- VP Secured Grate, Vandal-Proof Screws



TYPE NO.	LBS.
WF6A	16
WF6S	15

FLOOR DRAINS