

30000-TSO SERIES

BODY ASSEMBLY WITH THREADED SIDE OUTLET

APPLICATION

For use with all adjustable strainers. Wide flange anchors drain body in concrete and works in conjunction with the clamp collar to redirect waste through the collar's weepholes if seepage occurs around the strainer. The WEJLOC® clamp provides a non-puncturing positive bond of the waterproofing membrane to the drain body for applications where floors with standing water are to be sealed off from areas below. Integral threaded side outlet allows for installation in shallow slabs.

SPECIFICATION

JOSAM 30000-TSO Series coated cast iron Floor Drain, two-piece body with double drainage flange, integral threaded side outlet, WEJLOC® non-puncturing flashing collar with weepholes, threaded to receive a JOSAM adjustable strainer.

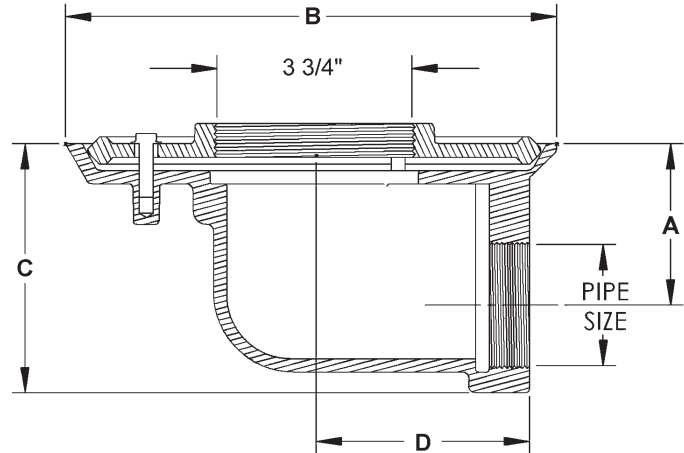
Available Options

- ARE Acid-Resisting Epoxy
- 49 3/4" Primer Tap
- 50 1/2" Primer Tap
- 92 Galvanized Cast Iron Parts

OUTLET:

- TSO Threaded Side Outlet

THIS DRAIN BODY CAN BE USED WITH ALL STRAINERS AND ACCESSORIES IN THE STRAINER SECTION.



TYPE NO.	PIPE SIZE	A	B	C	D	LBS.
30002-TSO	2	3	9-1/8	4-5/8	4	15
30003-TSO	3	2-1/2	9-1/8	4-5/8	4	15
30004-TSO	4	3-1/4	10-1/4	6	4-1/4	15

30002-ST SERIES

BODY ASSEMBLY WITH SHALLOW TRAP

APPLICATION

For use with all adjustable strainers. Wide flange anchors drain body in concrete and works in conjunction with the clamp collar to redirect waste through the collar's weepholes if seepage occurs around the strainer. The WEJLOC® clamp provides a non-puncturing positive bond of the waterproofing membrane to the drain body for applications where floors with standing water are to be sealed off from areas below. The collar is also invertible for extra vertical strainer adjustment to meet finished floor level in areas such as showers. Low-profile trap provides water seal in shallow floor slabs.

SPECIFICATION

JOSAM 30002-ST Series coated cast iron Floor Drain, two-piece body with double drainage flange and 1/2" primer tap with plug, WEJLOC® invertible non-puncturing flashing collar with weepholes threaded to receive a JOSAM adjustable strainer, bottom outlet threaded connection to low profile P trap.

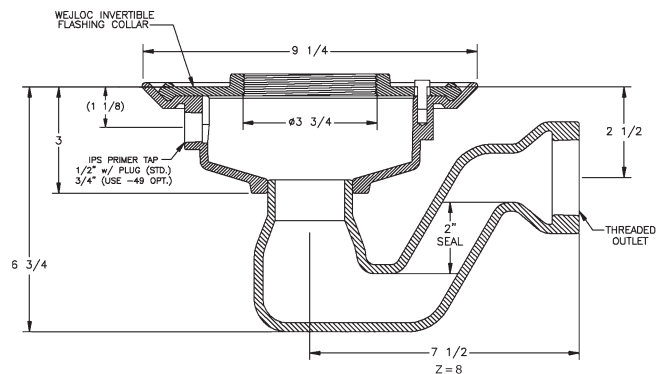
Available Options

- ARE Acid-Resisting Epoxy
- 49 3/4" Primer Tap
- 1/2" Primer Tap, Std.
- 92 Galvanized Cast Iron Parts

OUTLETS:

- T Threaded Outlet
- Z No-Hub Outlet

THIS DRAIN BODY CAN BE USED WITH ALL STRAINERS AND ACCESSORIES IN THE STRAINER SECTION.



FOR OUTLET TYPE SPECIFY -T or -Z

TYPE NO	PIPE SIZE	LBS.
30002-ST	2	17