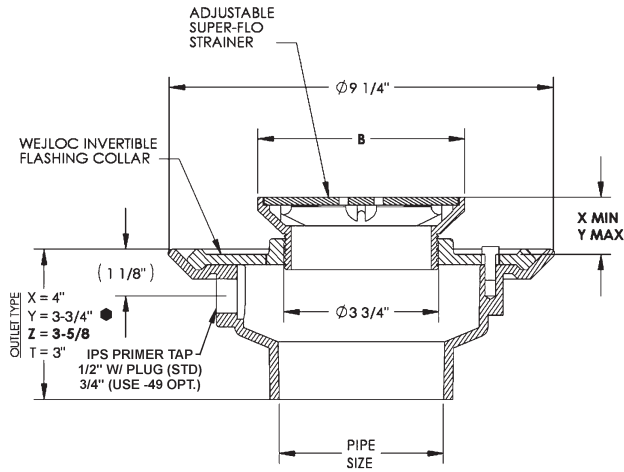


30000-S SERIES

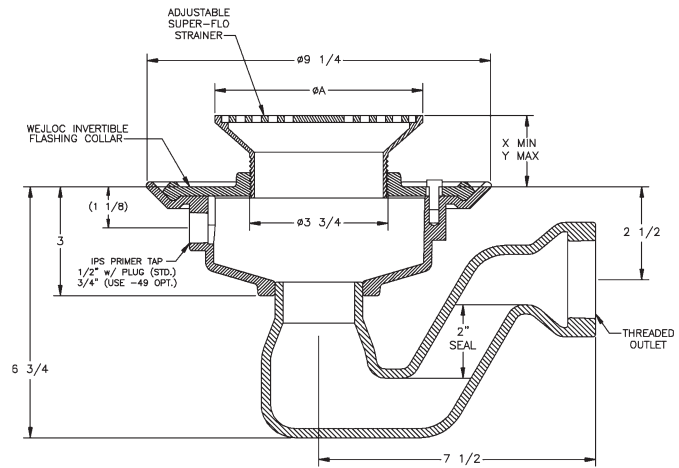
Body with Square SUPER-FLO® Strainer



● CONFORMS WITH ASTM-C564.

30002-ST-A SERIES

Body with Shallow Trap & Round SUPER-FLO® Strainer

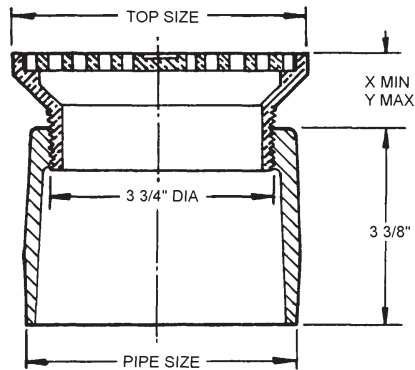


TYPE NO.	PIPE SIZE	ADJUSTABLE STRAINER ADJUSTMENT					LBS.†
		TYPE NO.	B	X	Y	AREA	
30002	2	5S	5	7/8	1-7/8	9.1	15
30003	3	6S	6	7/8	2-1/4	13.8	16
30004	4	8S	8	1-1/4	2-1/2	24.5	21
† STRAINER W/BODY							

TYPE NO.	PIPE SIZE	ADJUSTABLE STRAINER ADJUSTMENT				FREE AREA	LBS.†
		TYPE NO.	A DIA.	X	Y		
30002-ST-A	2	5A	5	3/4	2-1/8	7.8	19
		6A	6	1-1/4	2-3/8	11.0	20
		7A	7	1-1/8	2-7/8	13.2	21
		8A	8	1-5/8	2-5/8	16.2	22
† STRAINER W/BODY							

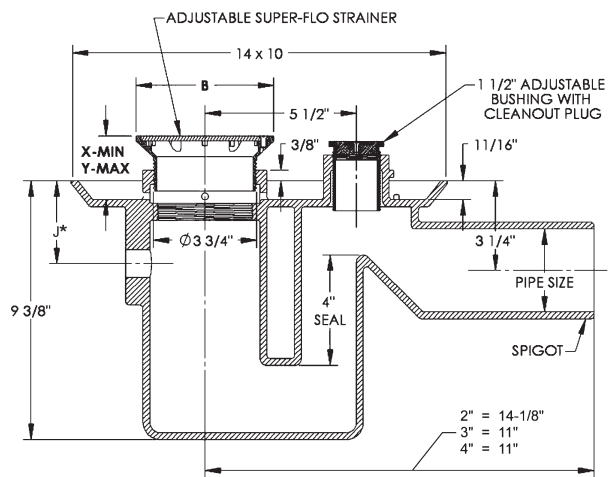
30304-Z-A SERIES

Body with Round SUPER-FLO® Strainer



30500-A SERIES

Body with Cleanout & Round SUPER-FLO® Strainer



* IPS PRIMER TAPPING (-49) & (-50)
AUX. THREADED INLET (-51) & (-52)

TYPE NO.	PIPE SIZE	ADJUSTABLE STRAINER ADJUSTMENT					LBS.†
		TYPE NO.	TOP SIZE	X	Y	FREE AREA	
30304-Z	4	5A	5	3/4	2-1/8	7.8	5
		6A	6	1-1/4	2-3/8	11.0	6
		7A	7	1-1/8	2-7/8	13.2	7
† STRAINER W/BODY							

TYPE NO.	PIPE SIZE	J*	ADJUSTABLE STRAINER ADJUSTMENT				LBS.†	
			TYPE NO.	B	X	Y		AREA
30502	2	3	5A	5	1-3/8	2-1/8	7.8	30
30503	3	3-1/2	6A	6	1-5/8	2-3/8	11.0	31
30504	4	4-1/8	7A	7	1-5/8	2-3/8	13.2	32
† STRAINER W/BODY								