

32100-AE-LC1-88 SERIES w/ LEVELEZE® Ext., Nikaloy Locking Cover & Supl. Strainer

APPLICATION

For use in pedestrian and light wheel traffic areas where drainage is not a constant factor. Solid hinged key-locking cover prevents intrusion of foreign objects, which may be swept up before cover is opened for wash down. The secondary strainer prevents debris from entering the waste line.

SPECIFICATION

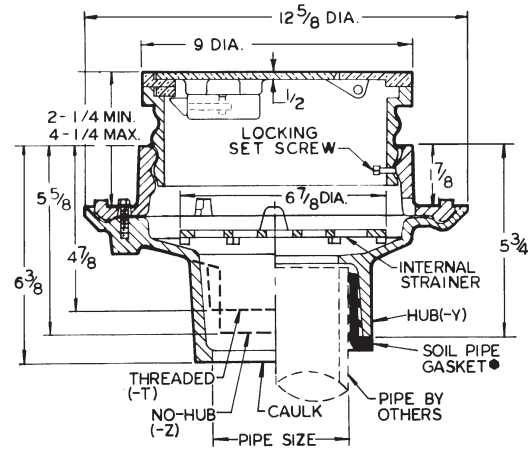
JOSAM 32100-AE-LC1-88 Series coated cast iron LEVELEZE® Floor Drain, two-piece body with double drainage flange, WEJLOC® non-puncturing flashing collar, weep-holes, bottom outlet, round satin Nikaloy hinged key-locking cover, adjustable collar and internal strainer.

Series 32100-AE-LC2-88 with Bronze Locking Cover

OPTIONS N/A:

-7, -11, -13, -13-1, -13-2, -15, -39, -44, -84

TYPE NO.	PIPE SIZE	LBS.
32102-AE-LC1-88	2	31
32103-AE-LC1-88	3	32
32104-AE-LC1-88	4	33



● CONFORMS WITH ASTM-C564.

FOR OUTLET TYPE, SPECIFY -T, -X, -Y or -Z.

32100-AE-TG SERIES with -AE LEVELEZE® Extension & -TG 9" Tractor Top

APPLICATION

For use in heavy traffic areas, such as warehouses, for any type of floor construction where a small to medium flow of liquid is anticipated. LEVELEZE® adjustable collar permits accurate positioning of grate to meet finished floor level.

SPECIFICATION

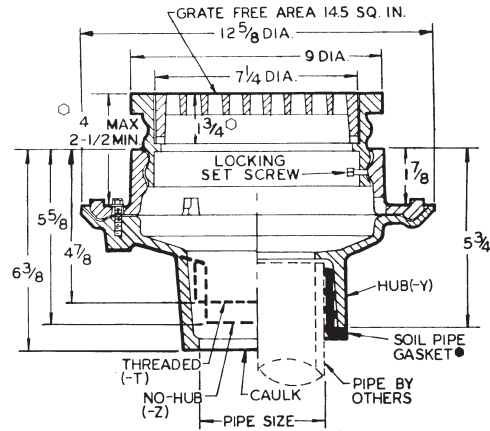
JOSAM 32100-AE-TG Series coated cast iron LEVELEZE® Floor Drain, two-piece body with double drainage flange, WEJLOC® non-puncturing flashing collar, weep-holes, bottom outlet, round top, adjustable collar with rolled thread and heavy-duty, deep-set tractor grate.

OPTIONS N/A:

-11, -13, -13-1, -13-2, -39, -44, -81, -84

32100-AE-TG	SLOT WIDTH 1/2"
32100-AE-TG-1	SLOT WIDTH 7/16"
32100-AE-TG-2	SLOT WIDTH 7/16"

TYPE NO.	PIPE SIZE	LBS.
32102-AE-TG	2	33
32103-AE-TG	3	35
32104-AE-TG	4	37



● CONFORMS WITH ASTM-C564.

○ ADD 1/4" WHEN FURNISHED WITH NIKALOY OR BRONZE TOP.

FOR OUTLET TYPE, SPECIFY -T, -X, -Y or -Z.

32100-TG SERIES with -TG 9" Tractor Top

APPLICATION

For use in heavy traffic areas such as garages and loading docks for any type of floor construction where a small to medium flow of liquid is anticipated.

SPECIFICATION

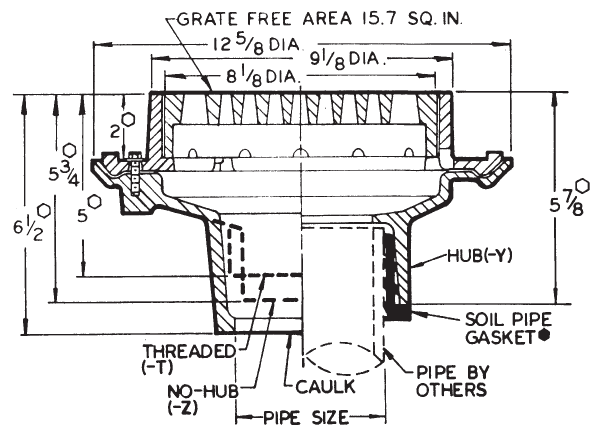
JOSAM 32100-TG Series coated cast iron Floor Drain, two-piece body with double drainage flange, WEJLOC® non-puncturing flashing collar, weep-holes, bottom outlet, round top and heavy-duty, loose-set tractor grate.

OPTIONS N/A:

-11, -13, -13-1, -13-2, -39, -81, -84,

SLOT WIDTH 3/8"

TYPE NO.	PIPE SIZE	LBS.
32102-TG	2	25
32103-TG	3	26
32104-TG	4	27



● CONFORMS WITH ASTM-C564.

○ ADD 1/4" WHEN FURNISHED WITH NIKALOY OR BRONZE TOP.

FOR OUTLET TYPE, SPECIFY -T, -X, -Y or -Z.