

## 32200 SERIES

## SHALLOW SUMP, SUPER-FLO® 12" TOP

### APPLICATION

For use in medium traffic areas, such as car washes, for any type of floor construction where a medium to heavy flow of liquid is anticipated.

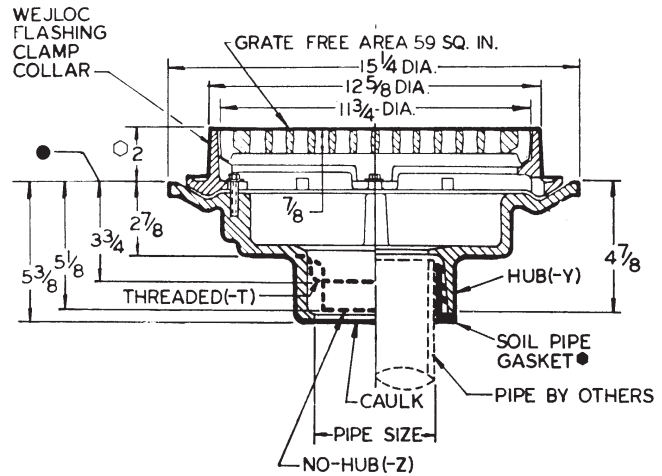
### SPECIFICATION

JOSAM 32200 Series coated cast iron Floor Drain, shallow two-piece body with double drainage flange, WEJLOC® non-puncturing flashing clamp collar, weepholes, bottom outlet, round top, and medium-duty loose-set anti-tilting SUPER-FLO® grate with perimeter drainage slots.

### Available Options

▼ -AE	LEVELEZE® Adjustable Ext.	-44-92	Fixed Extension Collar, Galv. (Specify Hgt.), 2" Std.
▼ -81	Slotted Cast Iron Bucket	-49	3/4" Primer Tap
▼ -SD	Special-Duty Grate	-50	1/2" Primer Tap
-1	Satin Finish Nikaloy Top	-84	Stainless Steel Mesh Bucket Liner
-2	Satin Finish Bronze Top	-88	Supplementary Strainer
-4	Secondary Flashing Clamp (use with -AE only)	-92	Galvanized Cast Iron Parts
-7	Ductile Iron Grate		
-13	Dome Grate, Cast Iron	<b>OUTLETS:</b>	
-13-1	Dome Grate, Nikaloy	-66	No-Hub Side Outlet, 2" - 6"
-13-2	Dome Grate, Bronze	-T	Threaded Outlet
-15	Chained Grate	-X	Inside Caulk Outlet
-ARE	Acid-Resisting Epoxy	-Y	Hub Outlet with Gasket, 2" - 4"
-VP	Secured Grate, Vandal-Proof Screws	-Z	No-Hub Outlet
-44	Fixed Extension Collar, C.I. (Specify Hgt.), 2" Std.		

- 32200 SLOT WIDTH 9/16"
- 32200-1 SLOT WIDTH 7/16"
- 32200-2 SLOT WIDTH 7/16"



- CONFORMS WITH ASTM-C564.
- THIS DIM. IS 5-3/4" FOR 32208-T.
- ADD 1/4" WHEN FURNISHED WITH NIKALOY OR BRONZE TOP.

FOR OUTLET TYPE SPECIFY -T, -X, -Y or -Z

TYPE NO.	PIPE SIZE	LBS.	TYPE NO.	PIPE SIZE	LBS.
32202	2	48	32205	5	50
32203	3	48	32206	6	49
32204	4	48	32208	8	46

## 32200-81 SERIES

## with -81 Slotted Cast Iron Bucket

### APPLICATION

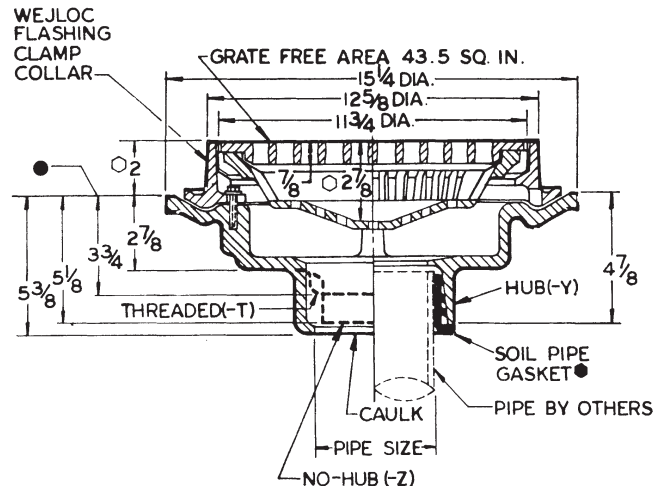
For use in medium traffic areas, such as car washes, for any type of floor construction where a medium to large flow of liquid is anticipated and a bucket is necessary to collect debris which may clog the waste line.

### SPECIFICATION

JOSAM 32200-81 Series coated cast iron Floor Drain, shallow two-piece body with double drainage flange, WEJLOC® non-puncturing flashing clamp collar, weepholes, bottom outlet, round top and removable sediment bucket which supports a medium-duty loose-set anti-tilting SUPER-FLO® grate with perimeter drainage slots.

OPTION N/A:  
-4

- 32200-81 SLOT WIDTH 9/16"
- 32200-81-1 SLOT WIDTH 1/2"
- 32200-81-2 SLOT WIDTH 1/2"



- CONFORMS WITH ASTM-C564.
- THIS DIM. IS 5-3/4" FOR 32208-81-T.
- ADD 1/4" WHEN FURNISHED WITH NIKALOY OR BRONZE TOP.

FOR OUTLET TYPE SPECIFY -T, -X, -Y or -Z

TYPE NO.	PIPE SIZE	LBS.	TYPE NO.	PIPE SIZE	LBS.
32202-81	2	53	32205-81	5	55
32203-81	3	53	32206-81	6	54
32204-81	4	53	32208-81	8	51

## 32200-AE SERIES with -AE LEVELEZE® Extension

**APPLICATION**

For use in medium traffic areas for any type of floor construction where a medium to heavy flow of liquid is anticipated, such as a car or truck wash. LEVELEZE® adjustable collar permits accurate positioning of grate to meet finished floor level.

**SPECIFICATION**

JOSAM 32200-AE Series coated cast iron LEVELEZE® Floor Drain with round top, grate support collar with double drainage flange and weepholes, bottom outlet, adjustable collar, bolted support ring, large sump body, and medium-duty, loose-set, anti-tilting, SUPER-FLO® grate with perimeter drainage slots.

**OPTION N/A:**  
-84

32200-AE SLOT WIDTH 9/16"  
32200-AE-1 SLOT WIDTH 7/16"  
32200-AE-2 SLOT WIDTH 7/16"

● CONFORMS WITH ASTM-C564.  
● THIS DIM. IS 5-3/4" FOR 32208-AE-T.  
▲ WITH -4 SECONDARY FLASHING CLAMP 2-1/4" MIN. 4-1/4" MAX.  
○ ADD 1/4" WHEN FURNISHED WITH NIKALOY OR BRONZE TOP.

FOR OUTLET TYPE SPECIFY -T, -X, -Y or -Z

TYPE NO.	PIPE SIZE	LBS.	TYPE NO.	PIPE SIZE	LBS.
32202-AE	2	74	32205-AE	5	76
32203-AE	3	74	32206-AE	6	75
32204-AE	4	74	32208-AE	8	72

## 32200-AE-81 SERIES with -AE LEVELEZE® Ext. & -81 Slotted Cast Iron Bucket

**APPLICATION**

For use in medium traffic areas for any type of floor construction where a medium to large flow of liquid is anticipated and a bucket is necessary to collect debris which may clog the waste line, such as a car or truck wash. LEVELEZE® adjustable collar permits accurate positioning of grate to meet finished floor level.

**SPECIFICATION**

JOSAM 32200-AE-81 Series coated cast iron LEVELEZE® Floor Drain with round top, grate support collar with double drainage flange and weepholes, bottom outlet, adjustable collar, bolted support ring, large sump body, and removable sediment bucket which supports a medium-duty, loose-set, anti-tilting, SUPER-FLO® grate with perimeter drainage slots.

32200-AE-81 SLOT WIDTH 9/16"  
32200-AE-81-1 SLOT WIDTH 7/16"  
32200-AE-81-2 SLOT WIDTH 7/16"

● CONFORMS WITH ASTM-C564.  
● THIS DIM. IS 5-3/4" FOR 32208-AE-81-T.  
▲ WITH -4 SECONDARY FLASHING CLAMP 2-1/4" MIN. 4-1/4" MAX.  
○ ADD 1/4" WHEN FURNISHED WITH NIKALOY OR BRONZE TOP.

FOR OUTLET TYPE SPECIFY -T, -X, -Y or -Z

TYPE NO.	PIPE SIZE	LBS.	TYPE NO.	PIPE SIZE	LBS.
32202-AE-81	2	80	32205-AE-81	5	82
32203-AE-81	3	80	32206-AE-81	6	81
32204-AE-81	4	80	32208-AE-81	8	78

## 32200-AE-SD SERIES with -AE LEVELEZE® Ext. & -SD Special-Duty Grate

### APPLICATION

For use in extra heavy traffic areas such as industrial plants and warehouses with heavy forklifts, for any type of floor construction where a medium to large flow of liquid is anticipated. LEVELEZE® adjustable collar permits accurate positioning of grate to meet finished floor level.

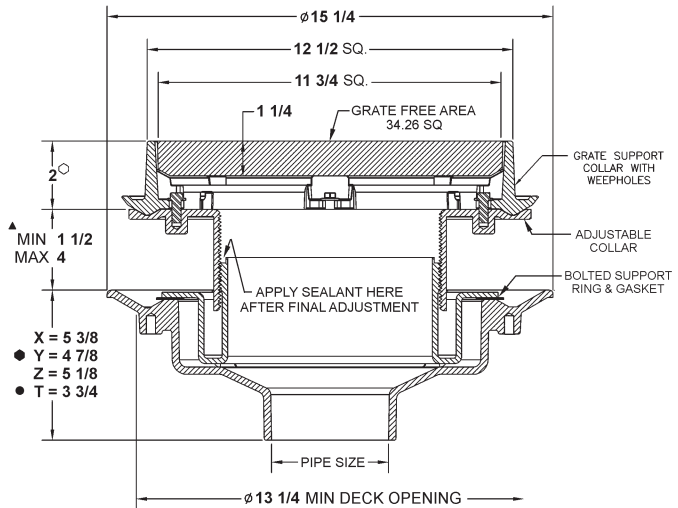
### SPECIFICATION

JOSAM 32200-AE-SD Series coated cast iron LEVELEZE® Floor Drain with round top, grate support collar with double drainage flange and weepholes, adjustable collar, bolted support ring, large sump body, bottom outlet and loose-set, special-duty grate.

#### OPTIONS N/A:

-7, -13, -13-1, -13-2

32200-AE-SD SLOT WIDTH 1/2"  
 32200-AE-SD-1 SLOT WIDTH 1/4"  
 32200-AE-SD-2 SLOT WIDTH 1/4"



- CONFORMS WITH ASTM-C564.
- THIS DIM. IS 5-3/4" FOR 32208-AE-SD-T.
- ▲ WITH -4 SECONDARY FLASHING CLAMP 2-1/4" MIN. 4-1/4" MAX.
- ADD 1/4" WHEN FURNISHED WITH NIKALOY OR BRONZE TOP.

FOR OUTLET TYPE SPECIFY -T, -X, -Y or -Z

TYPE NO.	PIPE SIZE	LBS.	TYPE NO.	PIPE SIZE	LBS.
32202-AE-SD	2	87	32205-AE-SD	5	89
32203-AE-SD	3	87	32206-AE-SD	6	88
32204-AE-SD	4	87	32208-AE-SD	8	85

## 32200-SD SERIES with -SD Special-Duty Grate

### APPLICATION

For use in extra heavy traffic areas such as military vehicle garages and loading docks for any type of floor construction where a medium flow of liquid is anticipated.

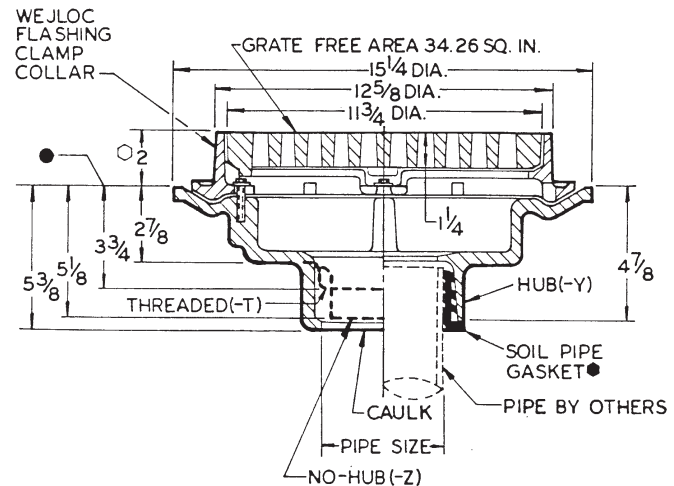
### SPECIFICATION

JOSAM 32200-SD Series coated cast iron Floor Drain, shallow two-piece body with double drainage flange, WEJLOC® non-puncturing flashing clamp collar, weepholes, bottom outlet, round top and special-duty, loose-set grate.

#### OPTIONS N/A:

-4, -7, -13, -13-1, -13-2

32200-SD SLOT WIDTH 1/2"  
 32200-SD-1 SLOT WIDTH 1/4"  
 32200-SD-2 SLOT WIDTH 1/4"



- CONFORMS WITH ASTM-C564.
- THIS DIM. IS 5-3/4" FOR 32208-SD-T.
- ADD 1/4" WHEN FURNISHED WITH NIKALOY OR BRONZE TOP.

FOR OUTLET TYPE SPECIFY -T, -X, -Y or -Z

TYPE NO.	PIPE SIZE	LBS.	TYPE NO.	PIPE SIZE	LBS.
32202-SD	2	61	32205-SD	5	63
32203-SD	3	61	32206-SD	6	62
32204-SD	4	61	32208-SD	8	59