

32200-AE-SD SERIES with -AE LEVELEZE® Ext. & -SD Special-Duty Grate

APPLICATION

For use in extra heavy traffic areas such as industrial plants and warehouses with heavy forklifts, for any type of floor construction where a medium to large flow of liquid is anticipated. LEVELEZE® adjustable collar permits accurate positioning of grate to meet finished floor level.

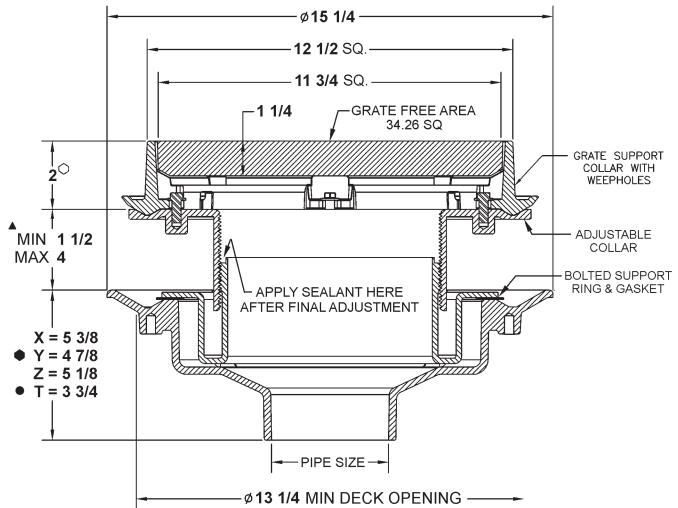
SPECIFICATION

JOSAM 32200-AE-SD Series coated cast iron LEVELEZE® Floor Drain with round top, grate support collar with double drainage flange and weepholes, adjustable collar, bolted support ring, large sump body, bottom outlet and loose-set, special-duty grate.

OPTIONS N/A:

-7, -13, -13-1, -13-2

32200-AE-SD SLOT WIDTH 1/2"
 32200-AE-SD-1 SLOT WIDTH 1/4"
 32200-AE-SD-2 SLOT WIDTH 1/4"



- CONFORMS WITH ASTM-C564.
- THIS DIM. IS 5-3/4" FOR 32208-AE-SD-T.
- ▲ WITH -4 SECONDARY FLASHING CLAMP 2-1/4" MIN. 4-1/4" MAX.
- ADD 1/4" WHEN FURNISHED WITH NIKALOY OR BRONZE TOP.

FOR OUTLET TYPE SPECIFY -T, -X, -Y or -Z

TYPE NO.	PIPE SIZE	LBS.	TYPE NO.	PIPE SIZE	LBS.
32202-AE-SD	2	87	32205-AE-SD	5	89
32203-AE-SD	3	87	32206-AE-SD	6	88
32204-AE-SD	4	87	32208-AE-SD	8	85

32200-SD SERIES with -SD Special-Duty Grate

APPLICATION

For use in extra heavy traffic areas such as military vehicle garages and loading docks for any type of floor construction where a medium flow of liquid is anticipated.

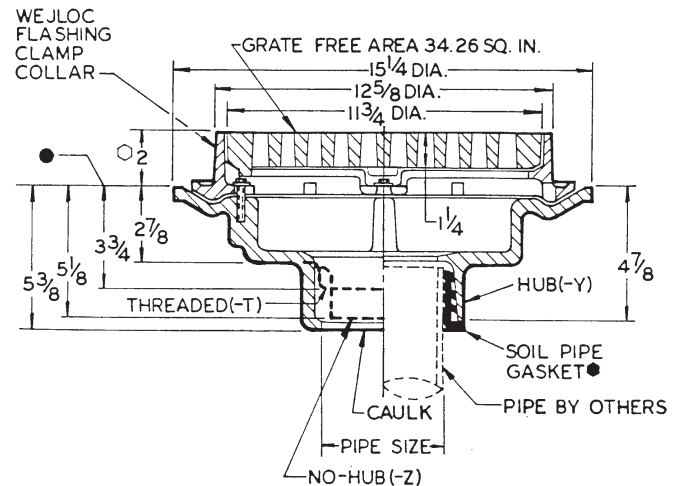
SPECIFICATION

JOSAM 32200-SD Series coated cast iron Floor Drain, shallow two-piece body with double drainage flange, WEJLOC® non-puncturing flashing clamp collar, weepholes, bottom outlet, round top and special-duty, loose-set grate.

OPTIONS N/A:

-4, -7, -13, -13-1, -13-2

32200-SD SLOT WIDTH 1/2"
 32200-SD-1 SLOT WIDTH 1/4"
 32200-SD-2 SLOT WIDTH 1/4"



- CONFORMS WITH ASTM-C564.
- THIS DIM. IS 5-3/4" FOR 32208-SD-T.
- ADD 1/4" WHEN FURNISHED WITH NIKALOY OR BRONZE TOP.

FOR OUTLET TYPE SPECIFY -T, -X, -Y or -Z

TYPE NO.	PIPE SIZE	LBS.	TYPE NO.	PIPE SIZE	LBS.
32202-SD	2	61	32205-SD	5	63
32203-SD	3	61	32206-SD	6	62
32204-SD	4	61	32208-SD	8	59