

35170 SERIES

APPLICATION

For use in medium traffic areas such as parking garages for any type of floor construction where a square top complements construction or floor finish and a medium sump is needed to handle a moderate flow of liquid. The bucket protects the drain line from debris, and the deep-set tractor grate will not flip out under high-speed traffic.

SPECIFICATION

JOSAM 35170 Series coated cast iron Floor Drain, bottom outlet, square top, medium-duty, loose-set tractor grate and removable bucket.

Available Options

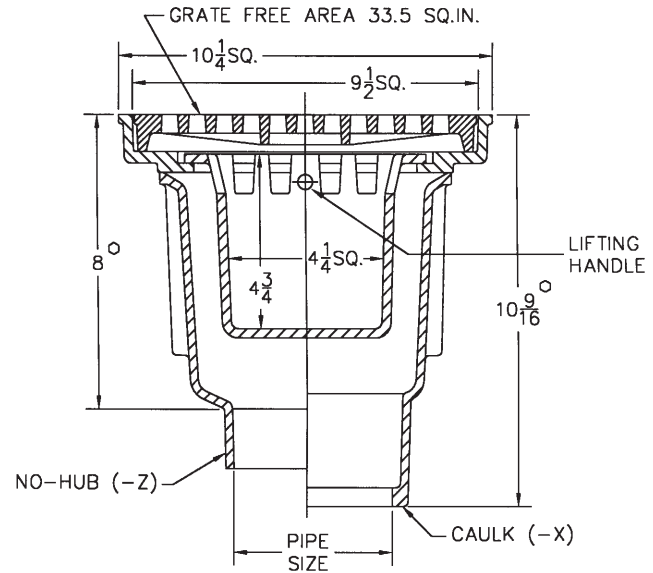
- 1 Satin Finish Nikaloy Top
- 2 Satin Finish Bronze Top
- 15 Chained Grate
- VP Secured Grate, Vandal-Proof Screws
- 49 3/4" Primer Tap
- 50 1/2" Primer Tap
- 70 Less Bucket
- 84 Stainless Steel Mesh Bucket Liner
- 88 Supplementary Strainer
- 92 Galvanized Cast Iron Parts

OUTLETS:

- X Inside Caulk Outlet
- Z No-Hub Outlet

10" TRACTOR TOP WITH BUCKET

- 35170 SLOT WIDTH 7/16"
- 35170-1 SLOT WIDTH 1/4"
- 35170-2 SLOT WIDTH 1/4"



⊕ ADD 1/4" WHEN FURNISHED WITH NIKALOY OR BRONZE TOP.

FOR OUTLET TYPE SPECIFY -X or -Z

TYPE NO.	PIPE SIZE	LBS.
35173	3	44
35174	4	44

37800 SERIES

APPLICATION

For use in medium traffic areas, such as decks and storage rooms, for any type of floor construction where a square top complements construction or floor finish and a medium flow of liquid is anticipated.

SPECIFICATION

JOSAM 37800 Series coated cast iron Floor Drain with flashing flange, and 1/2" primer tap with plug, shallow body, WEJLOC® non-puncturing flashing collar, weep-holes, bottom outlet, square top and heavy-duty, loose-set grate.

Available Options

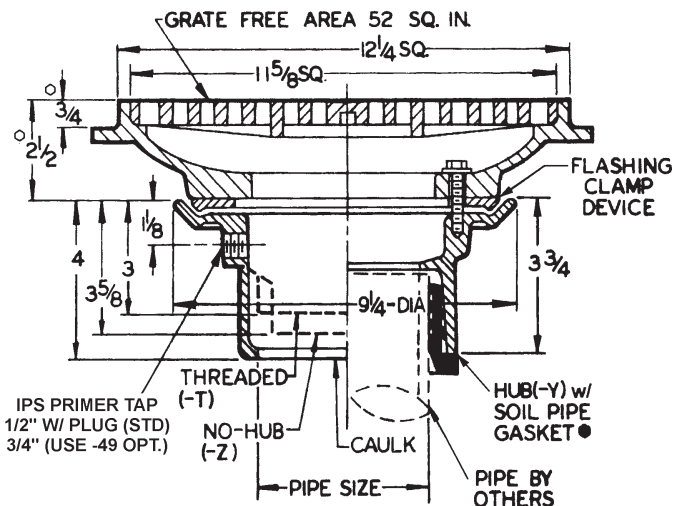
- 7 Ductile Iron Grate
- 14 Hinged Grate
- VP Secured Grate, Vandal-Proof Screws
- 18 Hinged Grate with Latching Device
- 19 C.I. Undergrate with Satin Finish Nikaloy Top
- 20 C.I. Undergrate with Satin Finish Bronze Top
- 49 3/4" Primer Tap
- 1/2" Primer Tap, Std.
- 92 Galvanized Cast Iron Parts

OUTLETS:

- 66 No-Hub Side Outlet
- T Threaded Outlet
- X Inside Caulk Outlet
- Y Hub Outlet with Gasket
- Z No-Hub Outlet

SHALLOW SUMP, 12" HEAVY-DUTY TOP

SLOT WIDTH 3/8"



● CONFORMS WITH ASTM-C564.

⊕ ADD 1/4" WHEN FURNISHED WITH NIKALOY OR BRONZE TOP.

FOR OUTLET TYPE SPECIFY -T, -X, -Y or -Z

TYPE NO.	PIPE SIZE	LBS.
37802	2	58
37803	3	58
37804	4	58