

37830 SERIES EXTRA-DEEP SUMP, 12" HEAVY-DUTY TOP, LATCHING GRATE

APPLICATION

For use in medium traffic areas, such as industrial plants or boiler rooms, for any type of floor construction where a square top complements construction or floor finish and a large sump is needed to handle a moderate flow of liquid. The bucket protects the drain line from large amounts of debris, and the latching hinged grate permits easy access for bucket removal.

SPECIFICATION

JOSAM 37830 Series coated cast iron Floor Drain with double drainage flange, seepage slots, bottom outlet, square top, heavy-duty, hinged latching grate and removable sediment bucket.

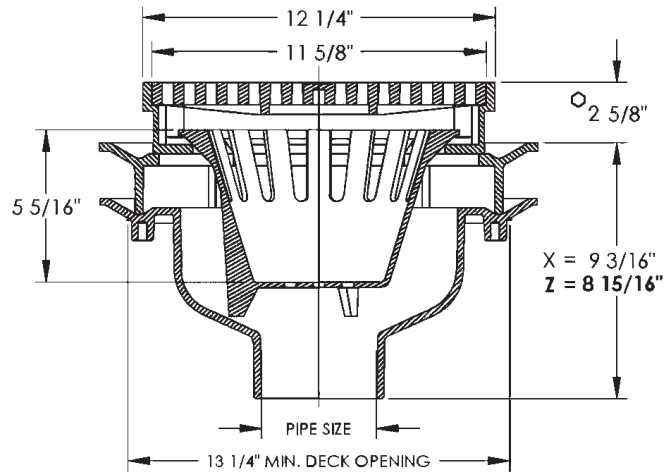
Available Options

- 7 Ductile Iron Grate
- 19 Satin Finish Nikaloy Top
- 20 Satin Finish Bronze Top
- 21 Loose-Set Grate
- 22 Less Latching Device
- 49 3/4" Primer Tap
- 50 1/2" Primer Tap
- 69 Lift Handle for Sediment Bucket
- 84 Stainless Steel Mesh Bucket Liner
- 92 Galvanized Cast Iron Parts

OUTLETS:

- 66 No-Hub Side Outlet
- X Inside Caulk Outlet
- Z No-Hub Outlet

SLOT WIDTH 3/8"



GRATE FREE AREA 54 SQ. IN.
 ○ ADD 1/4" WHEN FURNISHED WITH NIKALOY OR BRONZE TOP.

FOR OUTLET TYPE SPECIFY -X or -Z

TYPE NO.	PIPE SIZE	LBS.
37832	2	73
37833	3	74
37834	4	74
37835	5	74
37836	6	74

37840 SERIES EXTRA-DEEP SUMP, 12" HEAVY-DUTY TOP

APPLICATION

For use in medium traffic areas such as boiler rooms for any type of floor construction where a square top complements construction or floor finish and where a medium to large flow of liquid is anticipated. The bucket collects debris, which may clog the waste line.

SPECIFICATION

JOSAM 37840 Series coated cast iron Floor Drain with double drainage flange, seepage slots, bottom outlet, square top, heavy-duty secured grate and removable sediment bucket. Top frame serves as clamp ring.

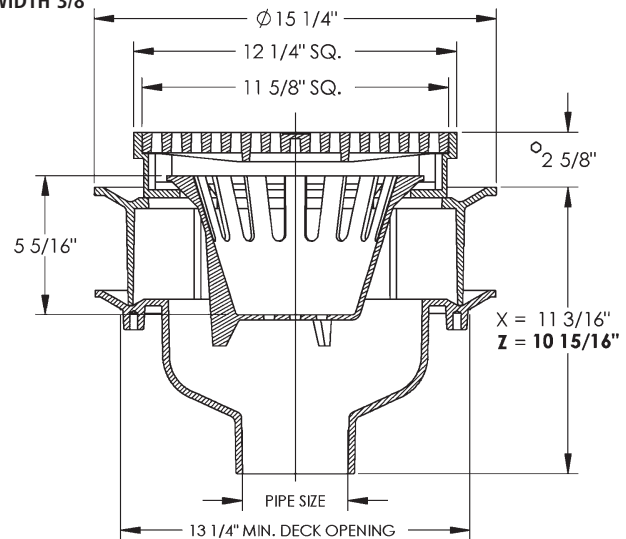
Available Options

- 7 Ductile Iron Grate
- 14 Hinged Grate
- VP Secured Grate, Vandal-Proof Screws
- 19 C.I. Undergrate with Satin Finish Nikaloy Top
- 20 C.I. Undergrate with Satin Finish Bronze Top
- 49 3/4" Primer Tap
- 50 1/2" Primer Tap
- 70 Less Bucket
- 84 Stainless Steel Mesh Bucket Liner
- 88 Supplementary Strainer
- 92 Galvanized Cast Iron Parts

OUTLETS:

- 66 No-Hub Side Outlet, 2"-6"
- X Inside Caulk Outlet
- Z No-Hub Outlet

SLOT WIDTH 3/8"



GRATE FREE AREA 54 SQ. IN.
 ○ ADD 1/4" WHEN FURNISHED WITH NIKALOY OR BRONZE TOP.

FOR OUTLET TYPE SPECIFY -X or -Z

TYPE NO.	PIPE SIZE	LBS.
37842	2	75
37843	3	75
37844	4	75
37845	5	75
37846	6	75
37848	8	75