

## 38820 SERIES 15" X 13" TOP, TRACTOR GRATE

**APPLICATION**

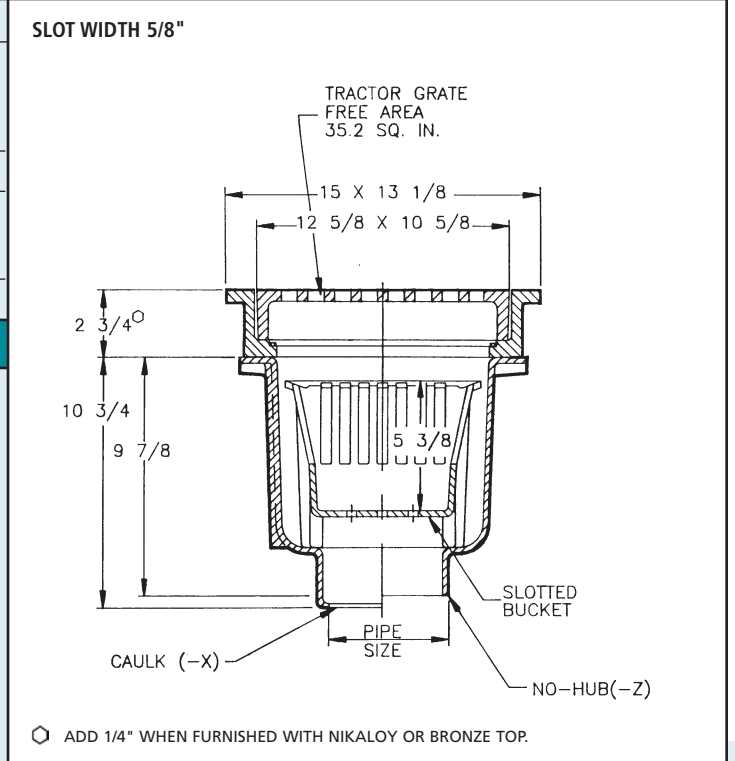
For use in medium traffic areas such as parking garages for any type of floor construction where a rectangular top complements construction or floor finish and a medium sump is needed to handle a moderate flow of liquid. The bucket protects the drain line from large amounts of debris, and the deep-set tractor grate will not flip out under high-speed traffic.

**SPECIFICATION**

JOSAM 38820 Series coated cast iron Floor Drain with flashing flange, bottom outlet, 15" x 13-1/8" top, removable deep sediment bucket and medium-duty loose-set tractor grate. Top frame serves as clamp ring.

### Available Options

- 1 Satin Finish Nikaloy Top
  - 2 Satin Finish Bronze Top
  - 7 Ductile Iron Grate
  - 15 Chained Grate
  - 49 3/4" Primer Tap
  - 50 1/2" Primer Tap
  - 74 Aluminum Bucket
  - 84 Stainless Steel Mesh Bucket Liner
  - 92 Galvanized Cast Iron Parts
- OUTLETS:**
- 66 No-Hub Side Outlet
  - X Inside Caulk Outlet
  - Z No-Hub Spigot Outlet



FOR OUTLET TYPE SPECIFY -X or -Z

TYPE NO.	PIPE SIZE	E	F	LBS.
38823	3	10-3/8	12-1/8	117
38824	4	10-1/2	12-3/8	117

## 38830 SERIES 13-3/4" X 14-1/8" TOP, BUCKET & INTERNAL TRAP

**APPLICATION**

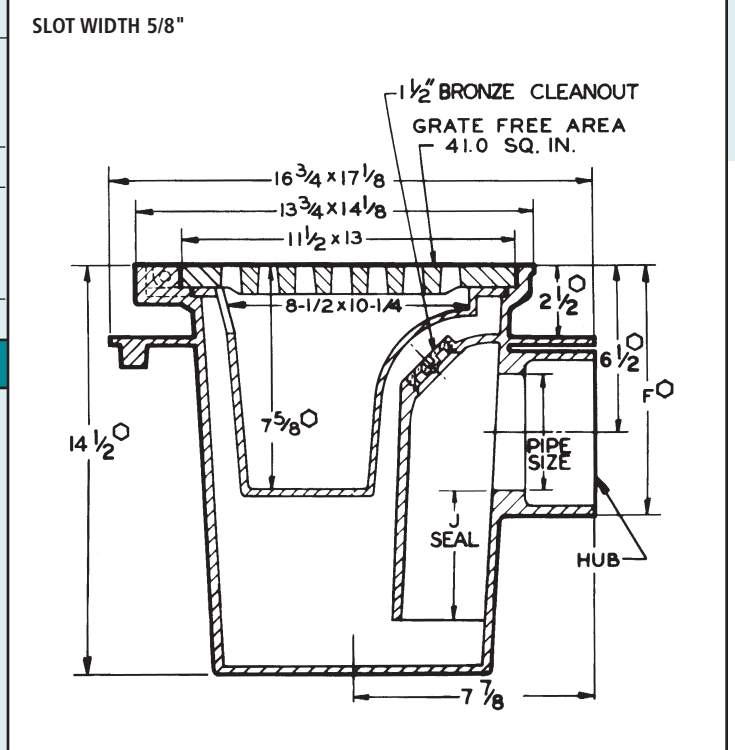
For use in extra heavy traffic areas, such as garages and loading docks. The hinged rectangular grate permits easy access for fast and frequent removal of sediment bucket and ensures that the grate cannot be removed from the drain site. Internal bronze cleanout provides direct access to the drain line.

**SPECIFICATION**

JOSAM 38830 Series coated cast iron combination Floor Drain and integral deep seal trap with double drainage flange, weepholes, side outlet hub connection, 13-3/4" x 14-1/8" top, heavy-duty hinged grate, removable deep sediment bucket and internal bronze cleanout.

### Available Options

- 1 Satin Finish Nikaloy Top
- 2 Satin Finish Bronze Top
- 7 Ductile Iron Grate
- VP Secured Grate, Vandal-Proof Screws
- 49 3/4" Primer Tap
- 50 1/2" Primer Tap
- 84 Stainless Steel Mesh Bucket Liner
- 92 Galvanized Cast Iron Parts



TYPE NO.	PIPE SIZE	F	J	LBS.
38833	3	8-7/8	5	115
38834	4	9-3/8	4-1/2	125