

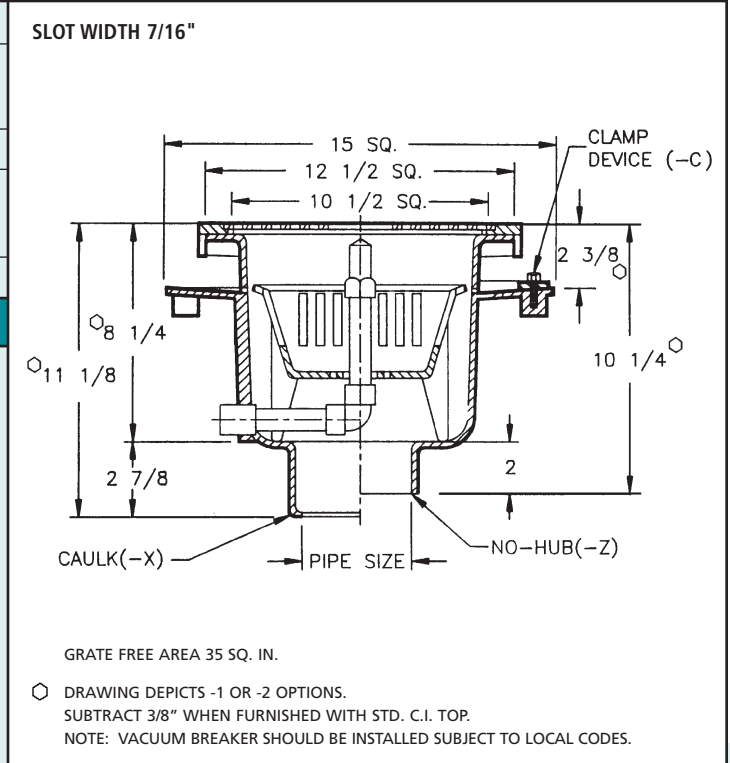
39240 SERIES SQUARE CAN WASH DRAIN

APPLICATION
For use in areas where it is desired to wash the interior of garbage and other cans such as in commercial kitchens. The bronze spray nozzle cleanses the inside of the can and the grate and bucket prevent solids from entering the waste line.

SPECIFICATION
JOSAM 39240 Series coated cast iron Can Wash Drain with double drainage flange, weepholes, bottom outlet, square top, removable sediment bucket and bronze spray nozzle assembly.

Available Options

- 1 Satin Finish Nikaloy Top
 - 2 Satin Finish Bronze Top
 - 15 Chained Grate
 - C Bolted Flashing Clamp Device
 - 84 Stainless Steel Mesh Bucket Liner
 - 92 Galvanized Cast Iron Parts
 - 98 Water Supply Control Box
- OUTLETS:**
- 66 No-Hub Side Outlet
 - X Inside Caulk Outlet
 - Z No-Hub Outlet



39600 SERIES PLANTING AREA DRAIN

APPLICATION
For use in planting areas or flower boxes. Secured beehive dome is covered with stainless steel mesh to ensure clear drainage and prevent soil or stones from entering the drain line.

SPECIFICATION
JOSAM 39600 Series coated cast iron Planting Area Drain with flashing flange and clamp device, bottom outlet, stainless mesh screen covered dome, secured in place by bolts.

Available Options

- 89 Deck Clamp Assembly
 - 92 Galvanized Cast Iron Parts
- OUTLETS:**
- 66 No-Hub Side Outlet
 - T Threaded Outlet
 - X Inside Caulk Outlet
 - Z No-Hub Outlet

