

## 49850 SERIES

## FLUSHING RIM, 12" ROUND TOP

### APPLICATION

For use in pedestrian traffic areas requiring a high degree of sanitation where solid waste may be present, such as hospital operating rooms, cystoscopic rooms, prison holding cells and animal research or other labs where undesirable materials can be flushed to the sewer. The flushing connection and flushing rim facilitate thorough cleaning with each flush. The white acid-resisting coated interior assures ease of sanitary maintenance.

### SPECIFICATION

JOSAM 49850 Series round cast iron Floor Sink with acid-resisting interior, double drainage flange with weepholes, bottom outlet, inside caulk connection, flushing connections, bronze flushing rim, and Nikaloy round top with light-duty perforated hinged grate.

### Options

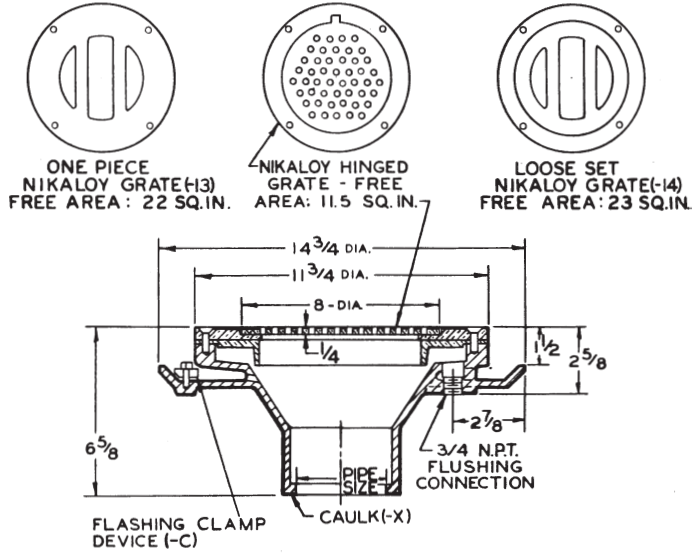
- VP Secured Grate, Vandal-Proof Screws
- 13 One-Piece Satin Nikaloy Grate
- 14 Loose-Set Satin Nikaloy Grate
- 51 Galvanized Cast Iron Inside and Outside
- 98 Water Supply Control Box
- C Clamp Device

### OUTLETS

- X Inside Caulk Outlet, 2" - 4"
- Z No-Hub Spigot Outlet, 6"

Vacuum breaker should be installed subject to local code requirements.  
\*49852 & 49853 use a 49854 Body with a Reducing Coupling

TYPE NO.	PIPE SIZE	LBS.
49852*	2	42
49853*	3	42
49854	4	44
49856-Z	6	44



FOR OUTLET TYPE, SPECIFY -X.

## 49870A SERIES

## CAN WASH DRAIN, 12" SQUARE TOP, 8" DEEP

### APPLICATION

For use in areas where it is desired to wash the interior of garbage and other cans such as in commercial kitchens. The bronze spray nozzle cleanses the inside of the can and the grate and bucket prevent solids from entering the waste line. The white acid-resisting coated interior assures ease of sanitary maintenance.

### SPECIFICATION

JOSAM 49870A Series square cast iron SUPER-FLO-SEPTOR® Can Wash Drain with acid-resisting interior, double drainage flange with weepholes, bottom outlet, removable sediment bucket, bronze spray nozzle assembly, Nikaloy rim and light-duty, Nikaloy, secured grate.

### Options

- VP Secured Grate, Vandal-Proof Screws
- 35 Stainless Steel Mesh Bucket Liner
- 51 Galvanized Cast Iron Inside and Outside
- 55 1/2" Primer Adapter, 88450 Provided
- 98 Water Supply Control Box
- C Clamp Device

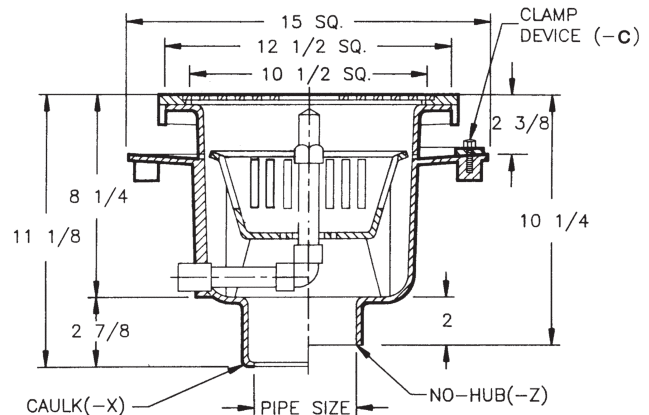
### OUTLETS

- X Inside Caulk Outlet
- Z No-Hub Spigot Outlet

Vacuum breaker should be installed subject to local code requirements.

TYPE NO.	PIPE SIZE	LBS.
49873A	3	59
49874A	4	59

SLOT WIDTH 3/8"



GRATE FREE AREA 35 SQ. IN.

FOR OUTLET TYPE, SPECIFY -X or -Z.