

## 58360 SERIES

## ADJUSTABLE FLOOR CLEANOUT

### APPLICATION

For use in finished floors subject to pedestrian and light wheel traffic such as strip malls and light commercial buildings where a full line sized plug is not required. Top design allows for adjustment.

### SPECIFICATION

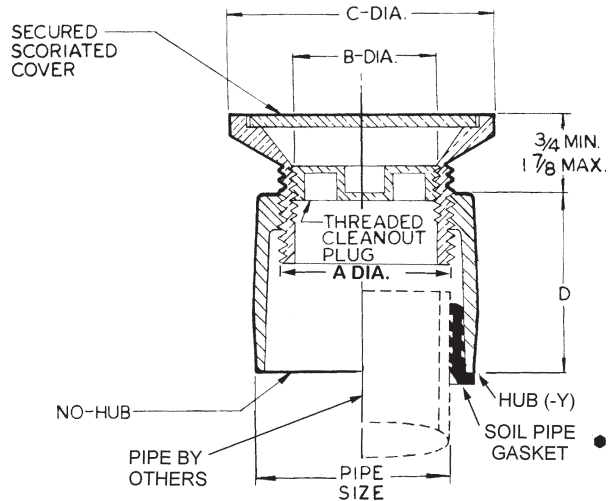
JOSAM 58360 Series coated cast iron Ferrule and adjustable cast Nikaloy Floor Cleanout, internal bronze countersunk plug and solid scoriated secured round cover.

### Available Options

- 2 Satin Finish Bronze Top
- 14 Carpet Cleanout Marker
- VP Secured Cover, Vandal-Proof Screws
- 31 Galvanized Cast Iron Parts

#### OUTLETS:

- Y Hub Outlet w/Gasket, 2"-4"
- Z No-Hub Spigot Outlet



● CONFORMS WITH ASTM-C564.

FOR OUTLET TYPE SPECIFY -Y or -Z

TYPE NO.	PIPE SIZE	A	B	C	D	LBS.
58362	2	2	1-1/2	4	4-1/2	4
58363	3	2	1-1/2	4	3-1/8	4
58364	4	3	2-3/4	5	3-3/8	6
58365	5	3	2-3/4	5	4-1/4	12
58366	6	3	2-3/4	5	4-1/4	13
58362-Y	2	2	1-1/2	4	3-1/8	4
58363-Y	3	3	2-3/4	5	3-3/8	6
58364-Y	4	3	2-3/4	5	4-1/4	12

## 58460A SERIES

## FLOOR CLEANOUT

### APPLICATION

For use in unfinished floors subject to pedestrian and light wheel traffic such as schools, hospitals and shopping malls where an oversized cover and body are desired. Top assembly has double drainage flange with flashing clamp.

### SPECIFICATION

JOSAM 58460A Series coated cast iron Floor Cleanout, internal bronze countersunk plug, inside caulk connection, and scoriated round top.

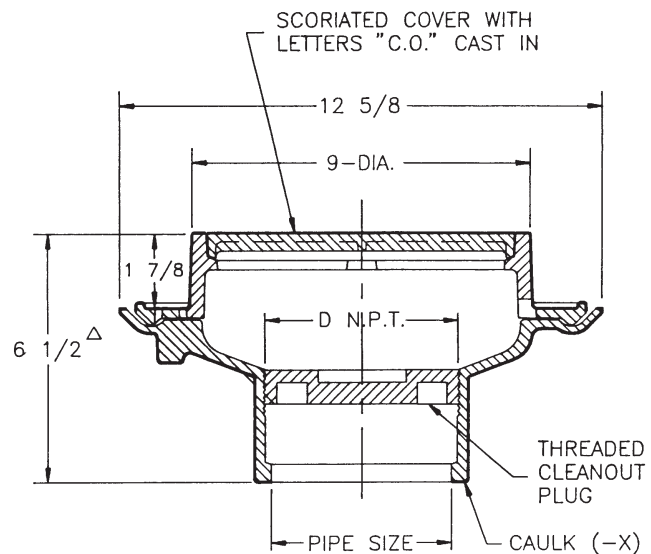
### Available Options

#### ▼ -AE Adjustable Extension

- 1 Satin Finish Nikaloy Top
- 2 Satin Finish Bronze Top
- 6 Square Top, Cast Iron
- 6-1 Square Top, Nikaloy
- 6-2 Square Top, Bronze
- 12 Top Recessed for Tile
- 14 Carpet Cleanout Marker
- VP Secured Cover, Vandal-Proof Screws
- 20 Raised Head Bronze Plug
- 31 Galvanized Cast Iron Parts

#### OUTLET:

- X Inside Caulk Outlet



△ ADD 1/4" WHEN FURNISHED WITH NIKALOY OR BRONZE TOP.

FOR OUTLET TYPE SPECIFY -X

TYPE NO.	PIPE SIZE	D	LBS.
58462A	2	4	26
58463A	3	4	26
58464A	4	5	29