

58580 SERIES

ACCESS HOUSING AND COVER

APPLICATION

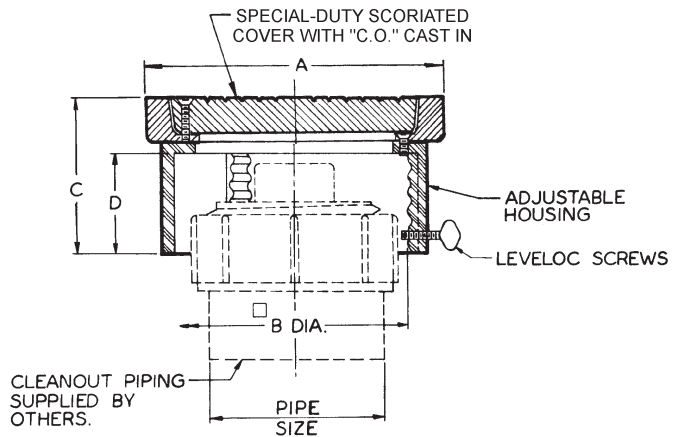
For use in finished or unfinished floors subject to heavy wheel traffic such as warehouses, loading docks and warehouse stores. May be used with cast iron or plastic cleanout ferrule and plug supplied by others. LEVELOC® thumb screws allow top to be secured to ferrule.

SPECIFICATION

JOSAM 58580 Series ABS Floor Access Housing with special-duty scoriated secured round cast iron top and LEVELOC® screws.

Available Options

- ▼ -1 Satin Finish Nikaloy Top
- ▼ -1-SD Special-Duty Satin Finish Nikaloy Top
- ▼ -1-SQ Square Top, Satin Finish Nikaloy
- 2 Satin Finish Bronze Top
- 2-SD Special-Duty Satin Finish Bronze Top
- 2-SQ Square Top, Satin Finish Bronze
- 5 Ductile Iron Top



□ MAXIMUM SPACE AVAILABLE FOR PIPE FITTING ENCLOSURE, ETC.

TYPE NO.	PIPE SIZE	A	□ B	C	D	LBS.
58582	2	6	3-3/16	3-7/8	2-9/16	7
58584	3, 4	7-5/8	5-3/16	3-7/8	2-9/16	9
58586	5, 6	9-3/4	7-3/8	3-7/8	2-9/16	11

58580-1 SERIES

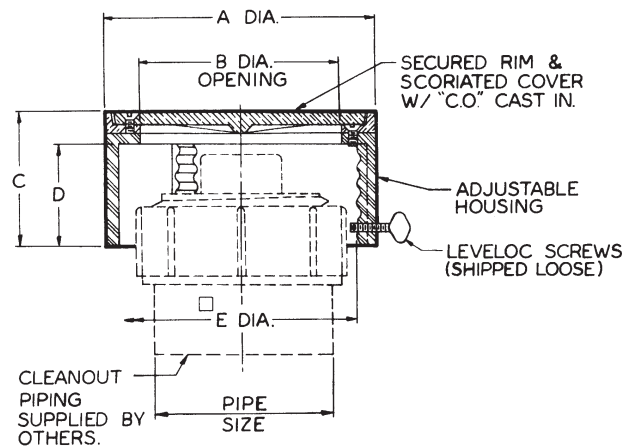
with -1 Nikaloy Top

APPLICATION

For use in finished floors subject to pedestrian and light wheel traffic such as schools, hospitals and shopping malls. May be used with cast iron or plastic cleanout ferrule and plug supplied by others. LEVELOC® thumb-screws allow top to be secured to ferrule.

SPECIFICATION

JOSAM 58580-1 Series ABS Floor Access Housing with scoriated secured round satin Nikaloy top and LEVELOC® screws.



□ MAXIMUM SPACE AVAILABLE FOR PIPE FITTING ENCLOSURE, ETC.

TYPE NO.	PIPE SIZE	A	B	C	D	□ E	LBS.
58582-1	2	5-1/8	3-9/16	3-1/4	2-9/16	4	2
58584-1	3,4	6-3/4	5-3/16	3-1/4	2-9/16	5-3/4	4
58586-1	5,6	8-15/16	7-3/8	3-1/4	2-9/16	7-15/16	6

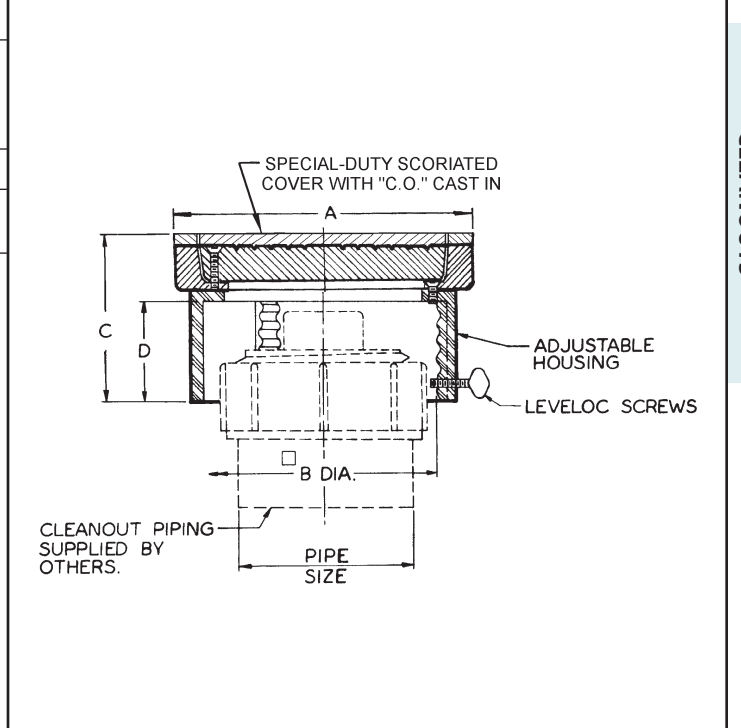
58580-1-SD SERIES with -1-SD Nikaloy Special-Duty Top

APPLICATION

For use in finished or unfinished floors subject to heavy wheel traffic or impact loads, such as warehouses, loading docks and warehouse stores. May be used with cast iron or plastic cleanout ferrule and plug supplied by others. LEVELOC® thumb screws allow top to be secured to ferrule.

SPECIFICATION

JOSAM 58580-1-SD Series ABS Floor Access Housing with special-duty scoriated secured round laminated satin Nikaloy cover and LEVELOC® screws.



□ MAXIMUM SPACE AVAILABLE FOR PIPE FITTING ENCLOSURE, ETC.

TYPE NO.	PIPE SIZE	A	□ B	C	D	LBS.
58582-1-SD	2	6	3-3/16	4-1/8	2-9/16	7
58584-1-SD	3,4	7-5/8	5-3/16	4-1/8	2-9/16	9
58586-1-SD	5,6	9-3/4	7-3/8	4-1/8	2-9/16	11

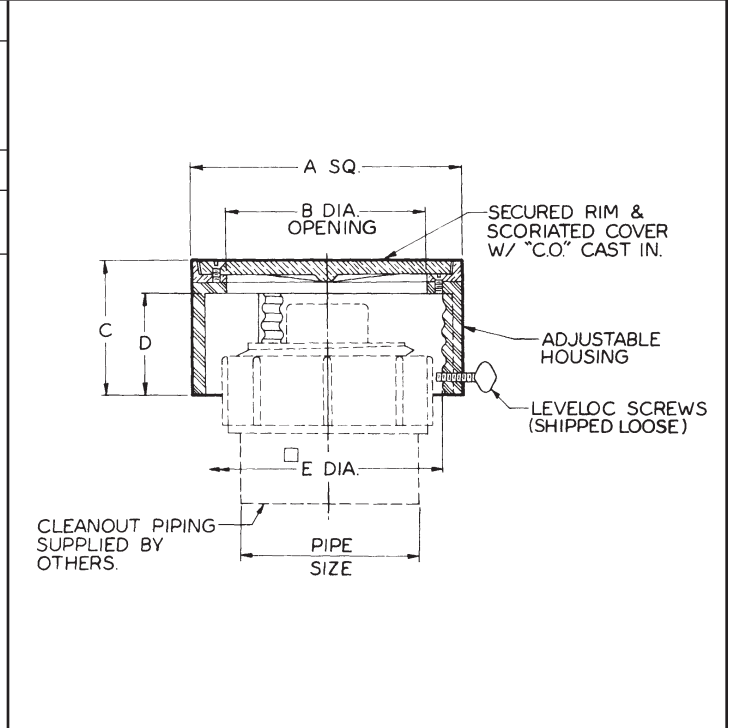
58580-1-SQ SERIES with -1-SQ Nikaloy Square Top

APPLICATION

For use in finished floors subject to pedestrian and light wheel traffic such as schools, hospitals and shopping malls where a square top complements construction or floor finish. May be used with cast iron or plastic cleanout ferrule and plug supplied by others. LEVELOC® thumb-screws allow top to be secured to ferrule.

SPECIFICATION

JOSAM 58580-1-SQ Series ABS Floor Access Housing with medium-duty scoriated secured square satin Nikaloy top and LEVELOC® screws.



□ MAXIMUM SPACE AVAILABLE FOR PIPE FITTING ENCLOSURE, ETC.

TYPE NO.	PIPE SIZE	A	B	C	D	□ E	LBS.
58582-1-SQ	2	5-3/8	3-9/16	3-1/4	2-9/16	4	3
58584-1-SQ	3, 4	7	5-3/16	3-1/4	2-9/16	5-3/4	5
58586-1-SQ	5, 6	9-1/4	7-3/8	3-1/4	2-9/16	7-15/16	7