

60100H SERIES MANUAL CLEANING, ON-FLOOR TYPE

APPLICATION

For use in restaurant and institutional kitchens and all types of food handling and processing areas where waste water contains fats, oil and grease (FOG). Adequate space and head room for removal of cover must be available for manual cleaning.

SPECIFICATION

JOSAM 60100H Series epoxy coated fabricated steel Grease Interceptor, no-hub connections, internal trap, removable diffuser baffle, gasketed non-skid cover, flow control fitting and PDI Seal of Approval. Conforms to Plumbing & Drainage Institute Standard PDI-G101.

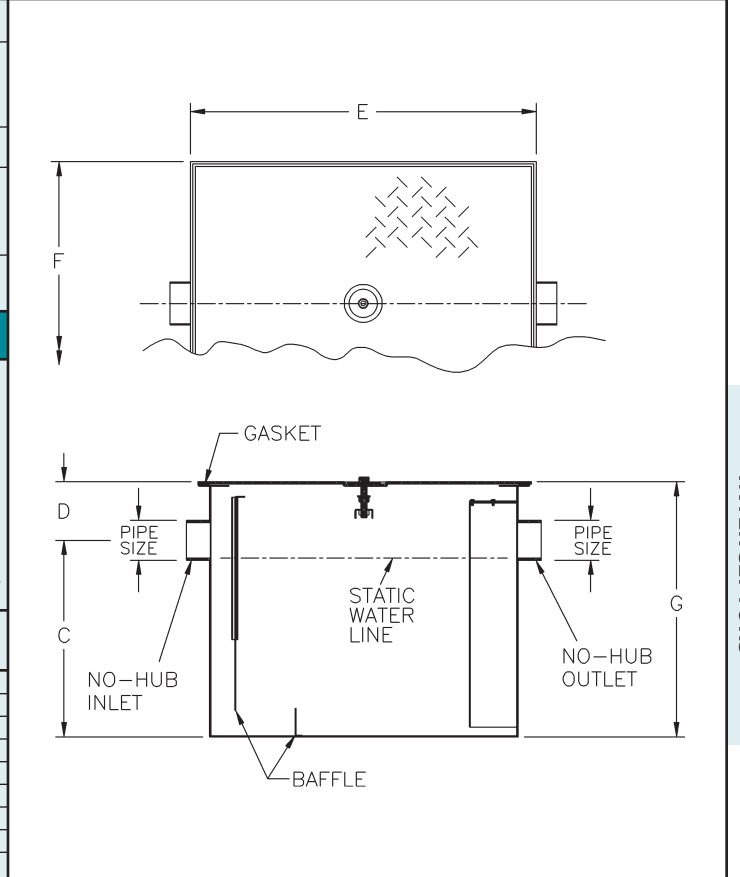
Conforms to Plumbing and Drainage Institute Standard PDI-G101.

Available Options

- 40 Cover Recess for Floor Finish
- 61 Flange and Clamp Device
- * -ISI Integrated Solids Interceptor
- ▼ -EXT Extension, 6" Standard. (Specify Extension Height)
- ▼ -RT Recessed Type
- ▼ -ET Enclosed Type
- HD Heavy-Duty Cover
- SS Stainless Steel Interceptor
- ▼ -GRD* Grease Removal Device, 60104H-60110H
- † -GRDP Grease Recovery Device with Probe
- SAP Sensing and Alarm Probe

* -ISI and -GRD cannot be furnished together. † 60100H-GRDP meets ANSI A112.14.4

TYPE NO.	FLOW RATE GPM	GREASE CAP LBS.	PIPE SIZE	ROUGH-IN CENTERS		LGTH. E	WIDTH F	HGT. G	LBS.
				C	D				
60102H	7	14	2	8-1/4	3-3/8	14-7/8	13	11-5/8	35
60103H	10	20	2	8-1/2	3-3/8	16-5/8	14-1/2	11-7/8	45
60104H	15	30	2	9-1/2	3-3/8	20-3/8	17	12-7/8	60
60105H	20	40	3	12	4-7/8	20-7/8	19	16-7/8	70
60106H	25	50	3	13	4-7/8	23-3/8	21-1/2	17-7/8	90
60107H	35	70	3	14-1/2	4-7/8	26-1/8	23	19-3/8	110
60108H	50	100	3	16-1/2	4-7/8	27-7/8	25-1/2	21-3/8	135
60109H	75	150	3	21	6	41	31	27	220
60110H	100	200	4	23	8	47	35	31	325



60100H-GRD SERIES with Grease Removal Device

APPLICATION

For use in restaurant and institutional kitchens and all types of food handling and processing areas where waste water contains fats, oil and grease (FOG). The Grease Removal Device (GRD), with programmable timer, controls the internal pump to remove grease on schedule.

SPECIFICATION

JOSAM 60100H-GRD Series epoxy coated fabricated steel Grease Interceptor, no-hub connections, internal trap, removable baffle, gasketed non-skid cover, flow control fitting and PDI Seal of Approval. Programmable timer controls internal pump for removal of grease at predetermined intervals.

OPTION N/A:
-ISI

TYPE NO.	FLOW RATE GPM	GREASE CAP LBS.	PIPE SIZE	ROUGH-IN CENTERS		LGTH. E	WIDTH F	HGT. G	LBS.
				C	D				
60104H-GRD	15	30	2	9-1/2	3-3/8	20-3/8	17	12-7/8	90
60105H-GRD	20	40	3	12	4-7/8	20-7/8	19	16-7/8	100
60106H-GRD	25	50	3	13	4-7/8	23-3/8	21-1/2	17-7/8	120
60107H-GRD	35	70	3	14-1/2	4-7/8	26-1/8	23	19-3/8	140
60108H-GRD	50	100	3	16-1/2	4-7/8	27-7/8	25-1/2	21-3/8	165
60109H-GRD	75	150	3	21	6	41	31	27	250
60110H-GRD	100	200	4	23	8	47	35	31	355

