

61000 SERIES

BOTTOM ACCESS FIXTURE TRAP TYPE

APPLICATION

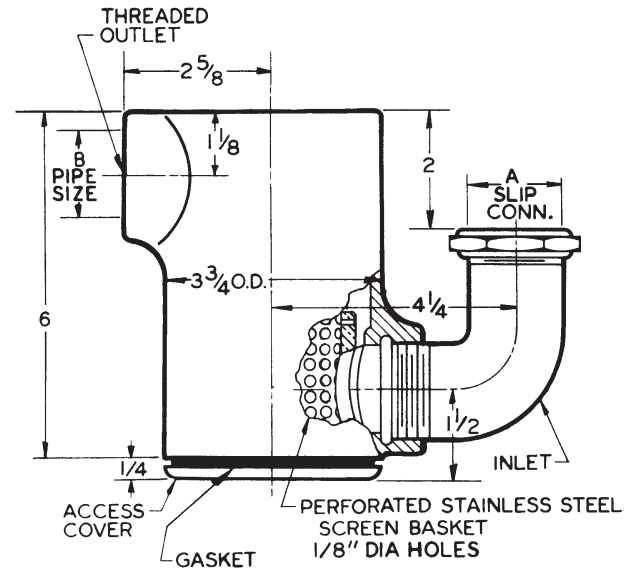
For use on the lavatory or sink in barber shops, beauty salons, dormitories and motels where hair, lint and other solids are commonly encountered. May also serve as a means of retrieving rings, other valuables or dental grindings, which have been dropped into the sink or lavatory. Cleaning is accomplished by removal of bottom cover and basket.

SPECIFICATION

JOSAM 61000 Series Nikaloy Solids Interceptor, bottom access, fixture trap type, slip joint inlet, 1-1/2" threaded side outlet, gasketed cover and removable perforated stainless steel basket.

Available Options

- 1 Painted Cast Iron
- 3 Polished Bronze
- 30 Acid-Resisting C.I. Inside and Outside



NOTE: 6" MIN. CLEARANCE REQUIRED BELOW COVER FOR REMOVAL OF BASKET.

61030 SERIES

TOP ACCESS FIXTURE TRAP TYPE

APPLICATION

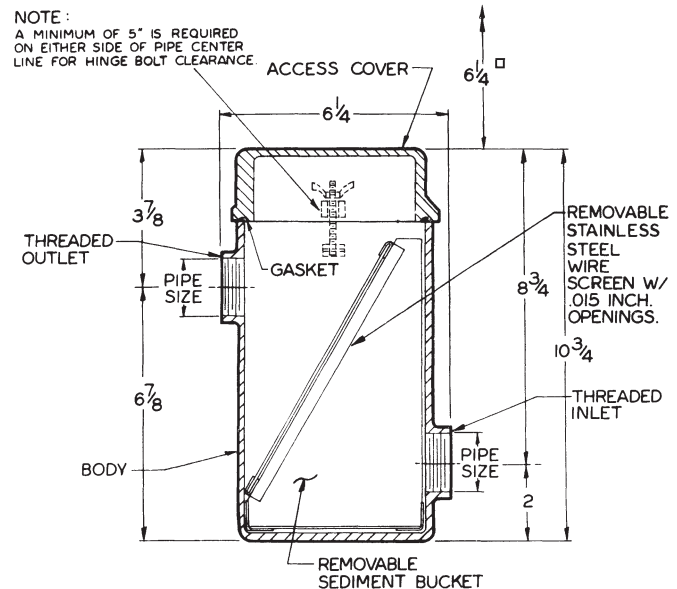
For use as a means of collecting solids such as metal chips, plaster and grindings in dental offices, jewelry and optical shops or similar establishments where the unit can be mounted directly under the sink to recover precious metals as well as intercept harmful debris. Cleaning is accomplished by removal of top cover and basket.

SPECIFICATION

JOSAM 61030 Series coated cast iron Solids Interceptor, top access, fixture trap type, threaded connections, gasketed cover, removable galvanized steel basket and stainless steel screen.

Available Options

- 26 Cast Aluminum
- 30 Acid-Resisting Inside and Outside



□ MIN. HEIGHT REQUIRED FOR REMOVAL OF BUCKET AND SCREEN.

INTERCEPTORS

TYPE NO.	INLET A	OUTLET B	LBS.
61001-1/4	1-1/4	1-1/2	6
61001-1/2	1-1/2	1-1/2	6

TYPE NO.	PIPE SIZE	LBS.
61031-1/2	1-1/2	9
61032	2	9