

61040A SERIES

TOP ACCESS ON-FLOOR TRAP TYPE

APPLICATION

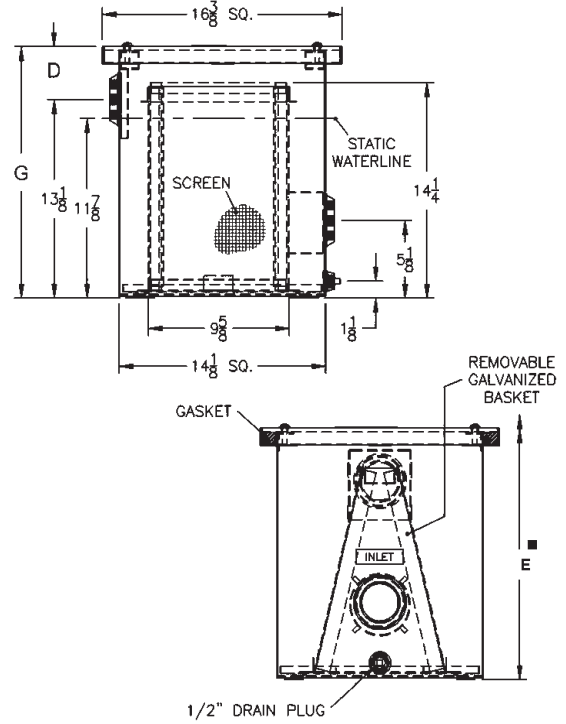
For use as a means of collecting large amounts of solids such as metal chips, plaster and grindings in dental offices, hospitals and optical shops or similar establishments where the unit can be mounted on the floor under the sink to recover precious metals as well as intercept harmful debris. Cleaning is accomplished by removal of top cover and basket.

SPECIFICATION

JOSAM 61040A Series steel Solids Interceptor with acid-resisting coating, top access, on-floor trap type, with 2" threaded connections, side outlet, gasketed non-skid cover, removable galvanized steel basket and stainless steel screens.

Available Options

- EXT Extension, 6" Standard (Specify Extension Height)
- 16 Monel Screens



- MIN. HGT. REQUIRED FOR REMOVAL OF SOLIDS BASKET.
- ADD EXT. HGT. TO MIN. HGT. REQUIRED IF FURNISHED WITH EXT.

INTERCEPTORS

TYPE NO.	PIPE SIZE	D	E	G	LBS.
61042A	2	3 1/2	31	16 5/8	54
61043A	3	4 1/2	32	17 5/8	60
61044A	4	5 1/2	33	18 5/8	55

61070 SERIES

TOP ACCESS IN-LINE TYPE

APPLICATION

For use as a means of collecting solid waste materials, hair, lint and foreign particles ahead of swimming pool filters and processing devices or commercial laundry equipment. Cleaning is accomplished in minimal time by removal of top cover secured with swing bolts and basket.

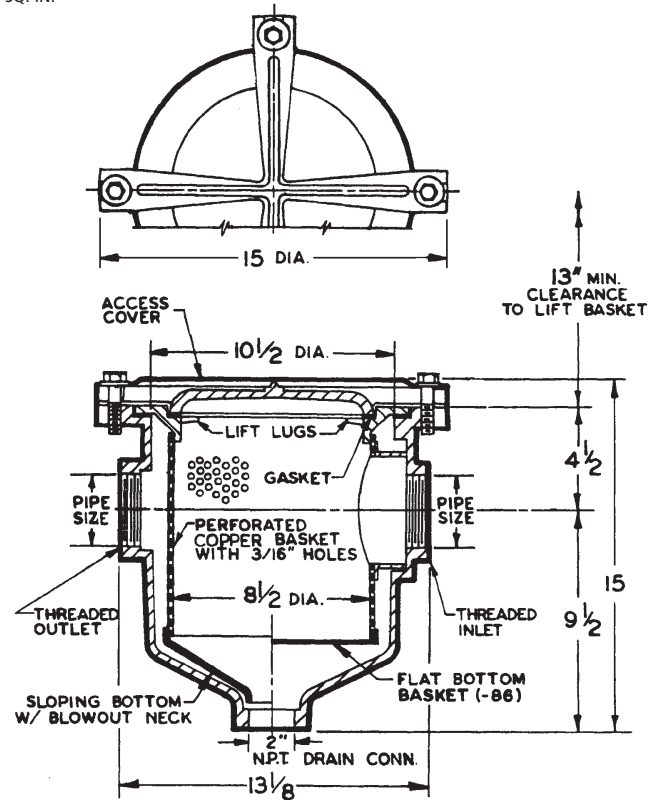
SPECIFICATION

JOSAM 61070 Series cast iron Solids Interceptor with acid-resisting coating, top access, in-line type, threaded connections, 2" threaded drain or blow-off connection, removable perforated copper basket with conical solid bottom, gasketed cast iron support rim and gasketed cover seated on basket support rim secured with hex head bolts.

Available Options

- 4 Galvanized Cast Iron Parts
- 15 Stainless Steel Basket
- 86 Flat Bottom Basket

BASKET FREE AREA
85.0 SQ. IN.



TYPE NO.	PIPE SIZE	LBS.
61072	2	65
61073	3	65
61074	4	65