

67650 SERIES

COMBINED DRAIN/SWING-CHECK TYPE

APPLICATION

For use at the base of walls in pits or pools, where elevation is limited, requiring a vertical inlet drain with a back outlet and a flapper type backwater valve to safeguard pit equipment or pool from backflow contamination.

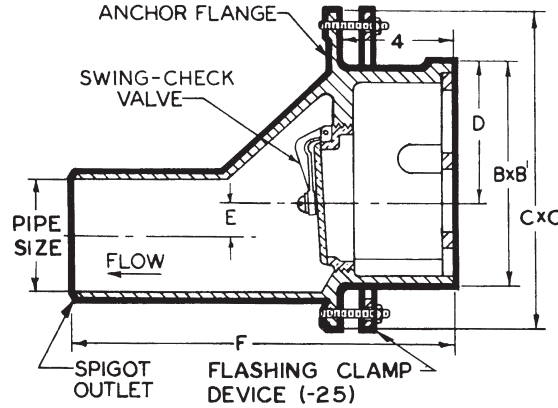
SPECIFICATION

JOSAM 67650 Series coated cast iron Backwater Valve, pit type, bronze swing-check assembly, vertical inlet grate and spigot connection.

Available Options

- 1 Satin Finish Nikaloy Face
- 2 Satin Finish Bronze Face
- 5 Galvanized Cast Iron Parts
- 25 Flashing Clamp Device
- VP Secured Face, Vandal-Proof Screws
- LBV Less Backwater Valve

SECURED COVER,
PIT TYPE



TYPE NO.	PIPE SIZE	B X B'	C X C'	D	E	F	FREE AREA SQ. IN.	LBS.
67653	3	9-5/16 x 7-5/8	12-3/4 x 10-7/8	5-1/8	1-1/8	13	19	40
67654	4	9-5/16 x 7-5/8	12-3/4 x 10-7/8	5-1/8	1-1/8	13	19	40
67656	6	11 x 8-7/8	14-3/4 x 12-3/8	5-1/2	1-1/8	14	22	52

67720 SERIES

HUB INLET, SWING-CHECK TYPE

APPLICATION

For use at the termination of drain lines which discharge into manholes and basins or through retaining walls to protect the lines from backflow and discourage the entrance of vermin.

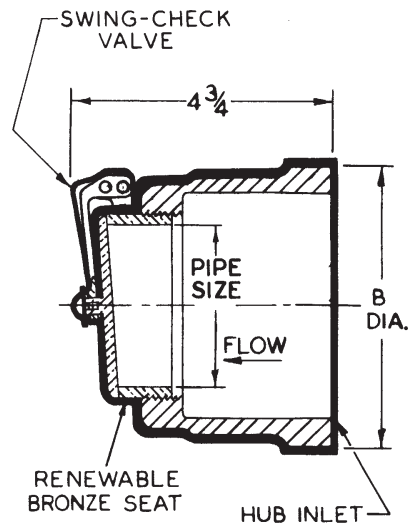
SPECIFICATION

JOSAM 67720 Series coated cast iron Backwater Valve, terminal type, bronze swing-check assembly and hub connection.

Available Options

- 15 Open Flap

TERMINAL TYPE



NOTE: SWING-CHECK VALVE NORMALLY HANGS IN CLOSED POSITION, BUT CAN BE SET TO HANG OPEN.

TYPE NO.	PIPE SIZE	B	LBS.
67723	3	5	5
67724	4	6-1/4	7

BWW, HYDRANTS & SHOCKS