

71400 SERIES GROUND HYDRANT • NON-FREEZE

APPLICATION

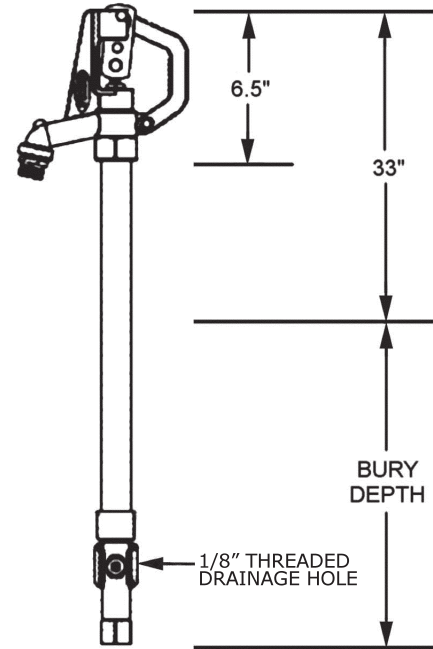
For use where an outside potable water supply is required. N.P.T. hole drains the body for frost protection.

SPECIFICATION

JOSAM 71400 Series galvanized steel non-freeze ground Hydrant with cast iron head, solid brass 3/4" H.P.T. outlet, cam type operating control lever for full or variable flow, stainless steel operating rod, one-piece plunger and 3/4" F.P.T. inlet.

TYPE NO.	SIZE	OVERALL LENGTH	LBS.
71400-1	1' Bury	45"	11
71400-2	2' Bury	57"	13
71400-3	3' Bury	69"	15
71400-4	4' Bury	81"	17
71400-5	5' Bury	93"	19
71400-6	6' Bury	105"	21

GROUND HYDRANT • NON-FREEZE



71450 SERIES GROUND HYDRANT, HEAVY-DUTY • NON-FREEZE

APPLICATION

For use in industrial environments where an outside potable water supply is required. N.P.T. hole drains the body for frost protection.

SPECIFICATION

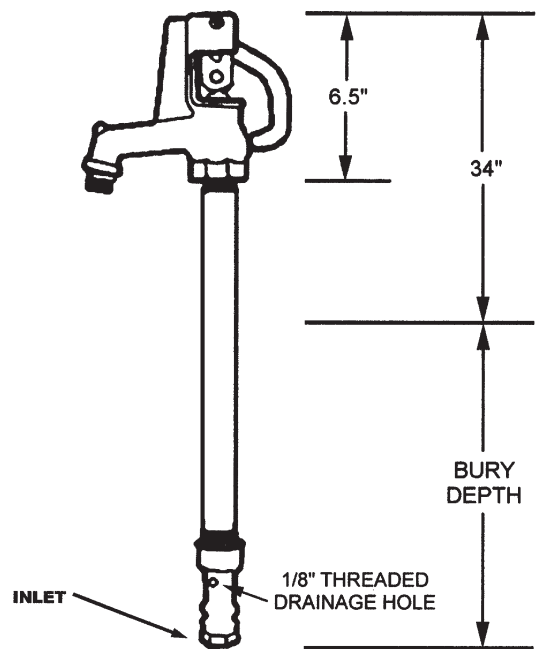
JOSAM 71450 Series galvanized steel non-freeze ground Hydrant with heavy-duty cast iron head, solid brass H.P.T. outlet, cam type operating control lever for full or variable flow, stainless steel operating rod, one-piece plunger and 3/4" F.P.T. inlet.

Available Option

-91 1" Hose Pipe Threaded Inlet and Outlet

TYPE NO.	SIZE	OVERALL LENGTH	LBS.
71450-1	1' Bury	46"	13
71450-2	2' Bury	58"	15
71450-3	3' Bury	70"	17
71450-4	4' Bury	82"	19
71450-5	5' Bury	94"	21
71450-6	6' Bury	106"	23

GROUND HYDRANT, HEAVY-DUTY • NON-FREEZE



BMW, HYDRANTS & SHOCKS