

## 71600 SERIES

## YARD HYDRANT, BOX TYPE • NON-FREEZE

### APPLICATION

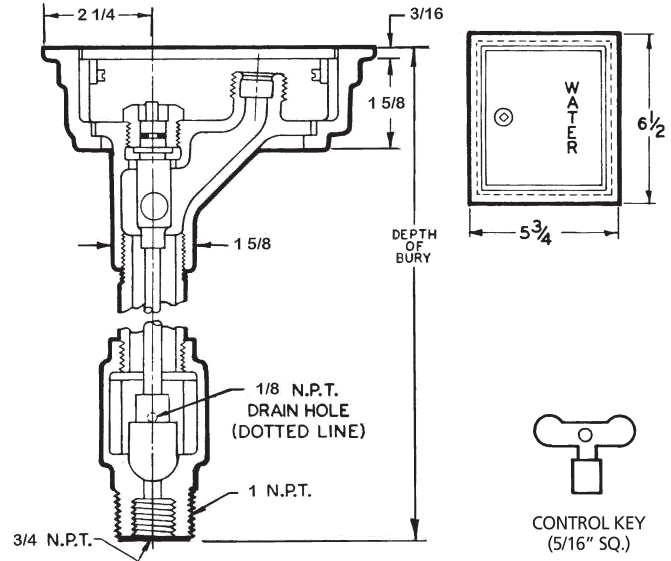
For use where an outside potable water supply is required. The 1/8" NPT hole drains the body for frost protection and the recessed box with hinged latching cover conceals the nozzle and operating mechanism and prevents unauthorized use.

### SPECIFICATION

JOSAM 71600 Series cast bronze non-freeze yard Hydrant with 3/4" H.P.T. outlet, satin finish face Nikaloy box, hinged latching cover, bronze casing, Neoprene plunger, removable bronze operating parts and straight inlet with standard hose connection.

### Available Options

- 52 Satin Finish Face, Bronze Box
- 91 1" Hose Pipe Threaded Outlet
- 95 Cylinder Vandal-Proof Lock
- 97 1/8" Tapped Drain Hole in Box



TYPE NO.	SIZE	LBS.
71600-2	2' Bury	6
71600-3	3' Bury	8
71600-4	4' Bury	11
71600-5	5' Bury	13
71600-6	6' Bury	15

## 71650 SERIES

## TRI-TEMP WALL HYDRANT, BOX TYPE • NON-FREEZE

### APPLICATION

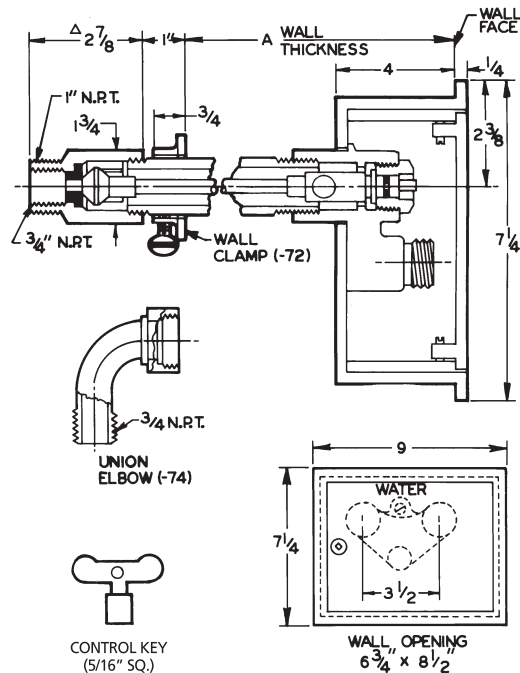
For use where a potable supply of cold, hot or mixed water is required such as dairies or wash down sites. The shut off design provides for frost protection and the recessed box with hinged latching cover conceals the nozzle and operating mechanism and prevents unauthorized use.

### SPECIFICATION

JOSAM 71650 Series TRI-TEMP cast bronze non-freeze wall Hydrant with T-Handle, satin finish face Nikaloy box, hinged latching cover, bronze casings, Neoprene plungers, removable nylon seats, removable bronze operating parts, 3/4" female and 1" male N.P.T. inlet connections for hot and cold water and a mixing chamber with 3/4" H.P.T. outlet.

### Available Options

- 72 Wall Clamps
- 73 Solder Inlet Adapters
- 74 Union Elbow Assemblies
- 81 Vacuum Breaker
- 91 1" Hose Pipe Threaded Outlet
- 95 Cylinder Vandal-Proof Lock



TYPE NO.	A	LBS.	TYPE NO.	A	LBS.
71650-6	6	24	71650-16	16	29
71650-8	8	25	71650-18	18	30
71650-10	10	26	71650-20	20	31
71650-12	12	27	71650-22	22	32
71650-14	14	28	71650-24	24	33

△ WHEN UNION ELBOW IS USED, THIS DIM. IS 5-3/8" OVERALL.

BWW, HYDRANTS & SHOCKS