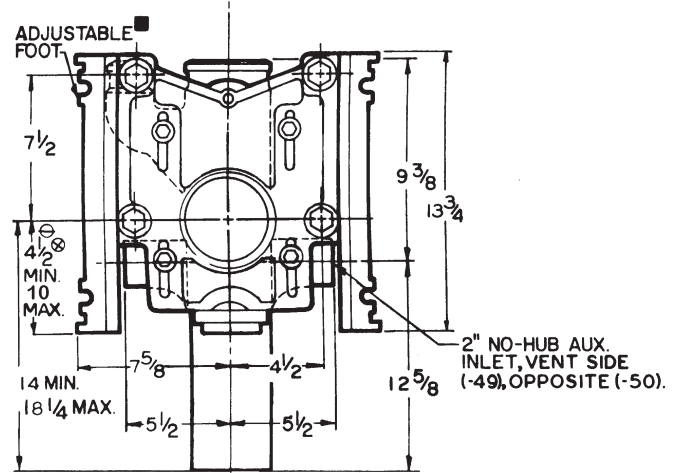
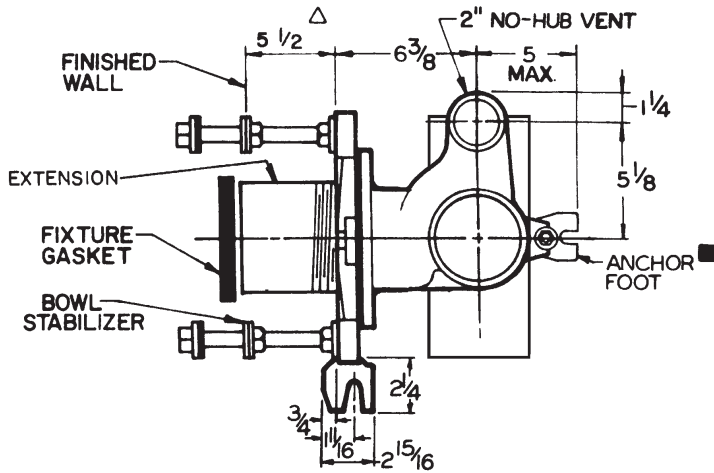


## VERTICAL 4" NO-HUB, ADJUSTABLE, SINGLE

**12704**

**APPLICATION:** For use with Siphon Jet or Blowout Closets in No-Hub piping systems where back-to-back adjustable fitting with vertical flow is desired.

Single Fitting, On Stack, Left-Hand 2" Vent



72 LBS.

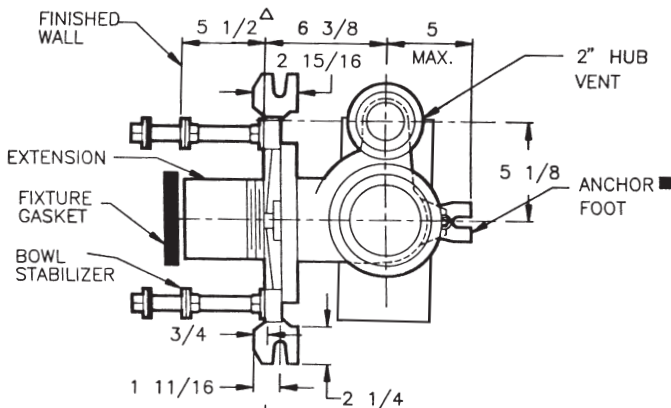
OPTIONS N/A: -LH4, -RH4, -D4

### OPTIONS

- |         |                              |       |  |
|---------|------------------------------|-------|--|
| -PF     | Pylon Foot, Std.             | -6    | Supply Pipe Support (Specify Type of Pipe)                 |
| -OR     | O-Ring Carrier               | -10   | ABS Extension, through 10-1/2" Wall                        |
| -SD     | Special-Duty 500 lb. Carrier | -24   | Carrier for Floor-Mounted, Back-Outlet China Bowls         |
| ▼ -HS   | Hub & Spigot                 | -30   | Cast Iron Adjustable Extension with Connector              |
| ▼ -LH4  | Left-Hand 4" No-Hub Branch   | -30-2 | Cast Iron Adjustable Extension with Connector and Test Cap |
| ▼ -HLH4 | Left-Hand 4" Hub Branch      | -32   | Carrier for Wide Chase Installations                       |
| ▼ -RH4  | Right-Hand 4" No-Hub Branch  | -35   | Closet Carrier for Wheelchair High Rough                   |
| ▼ -HRH4 | Right-Hand 4" Hub Branch     | -49   | No-Hub High Auxiliary Inlet, Under Vent                    |
| ▼ -D4   | Double 4" No-Hub Branches    | -50   | No-Hub High Auxiliary Inlet, Opposite Vent                 |
| ▼ -HD4  | Double 4" Hub Branches       | -53   | Threaded High Auxiliary Inlet, Under Vent                  |
| -VP     | Vandal-Proof Trim            | -54   | Threaded High Auxiliary Inlet, Opposite Vent               |
| -1      | Positioning Frame            |       |  |

### 12704-HS SERIES

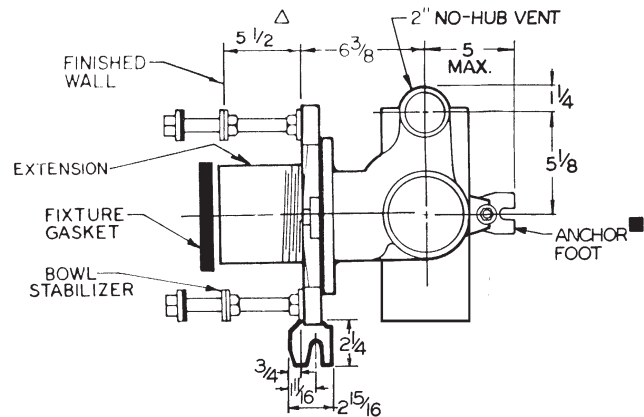
Single, Left-Hand 2" Vent, Hub & Spigot



83 LBS.

### 12704-LH4 SERIES

Single, Left-Hand 4" Branch, Left-Hand 2" Vent



71 LBS.

OPTIONS N/A: -49, -53

■ RECOMMENDED ALL FEET BE SECURED TO FLOOR WITH 1/2" BOLTS AND ANCHORS BY OTHERS.

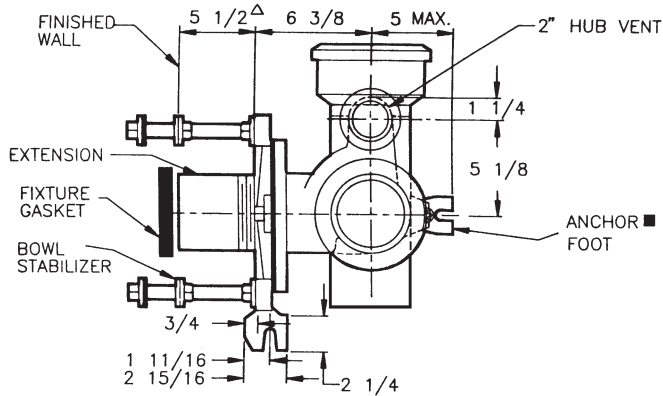
Δ DIM. SHOWN IS FOR SIPHON JET. BLOWOUT IS: ⊕ 11" MIN. & 16-1/2" MAX.

⊗ FOR ROUGHING OVER 6" FOR SIPHON JET OR 12-1/2" FOR BLOWOUT, SPECIFY ON ORDER.

△ FOR DIM. SHORTER THAN 5-1/2" (1" MIN.) CUT EXT. SPECIFY -10 FOR LONGER EXT. (10-1/2" MAX.)

**12704-HS-HLH4 SERIES**

Single, Left-Hand Branch, Left-Hand 2" Vent

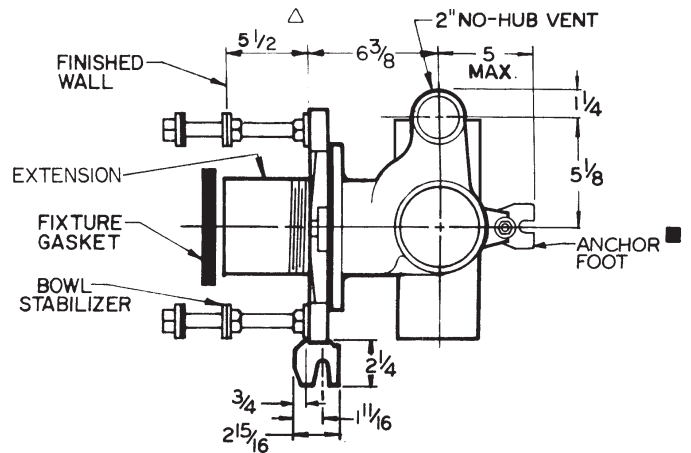


**84 LBS.**

OPTIONS N/A: -49, -53

**12704-RH4 SERIES**

Single, Right-Hand 4" Branch, Left-Hand 2" Vent

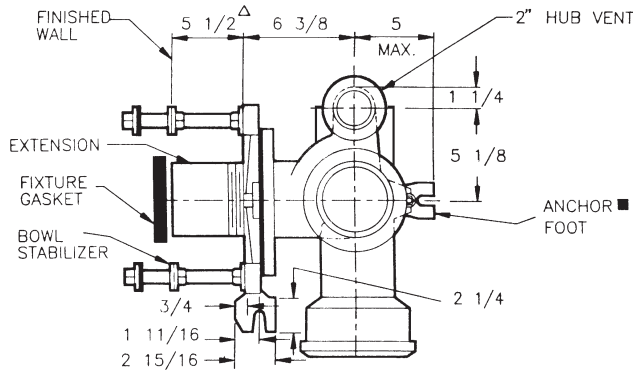


**71 LBS.**

OPTIONS N/A: -50, -54

**12704-HS-HRH4 SERIES**

Single, Right-Hand Branch, Left-Hand 2" Vent

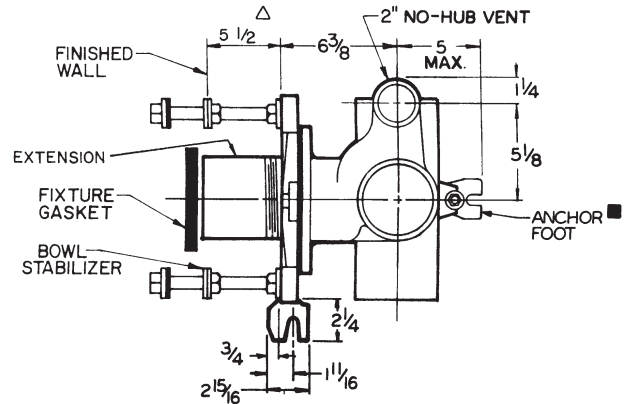


**84 LBS.**

OPTIONS N/A: -50, -54

**12704-D4 SERIES**

Single, Two 4" Branches, Left-Hand 2" Vent

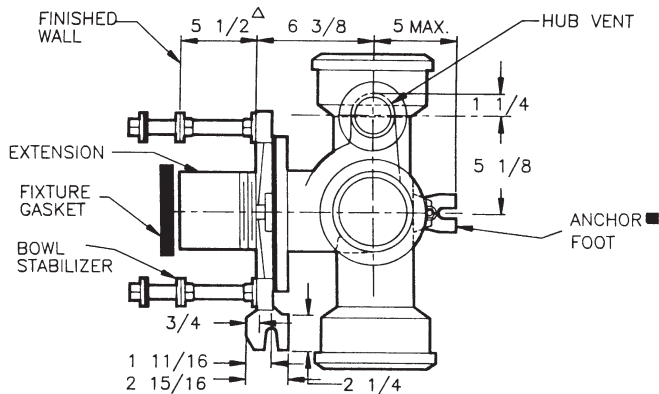


**70 LBS.**

OPTIONS N/A: -49, -50, -53, -54

**12704-HS-HD4 SERIES**

Single, Two 4" Branches, Left-Hand 2" Vent



**86 LBS.**

OPTIONS N/A: -49, -50, -53, -54

**⚠ WARNING: Cancer and Reproductive Harm - [www.p65warnings.ca.gov](http://www.p65warnings.ca.gov)**