

88250 SERIES TRAP SEAL PRIMER VALVE

APPLICATION

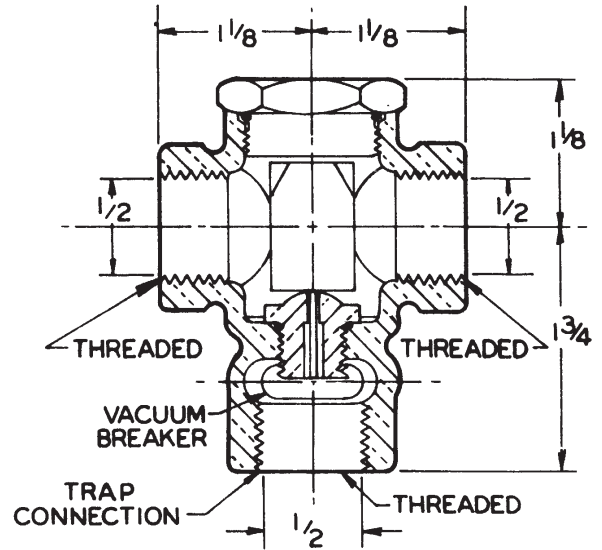
For use with tapped floor drains in locations where infrequent use or other conditions might permit the water seal to evaporate, allowing sewer gas or objectionable and contaminating odors to escape through the drain. The trap primer valve is connected to a water supply line and sends a precise amount of water, with each use, to the trap to compensate for evaporation and ensure maintenance of a water seal in the trap at all times.

SPECIFICATION

JOSAM 88250 Series all bronze Primer Valve with removable operating parts, integral vacuum breaker and gasketed access cover for installation in a cold water service line to a plumbing fixture with trap connection for maintaining trap seal.

Available Options

- 10 Polished Chrome Plated
- 90 1/2" Female Copper Connection
- 91 1/2" Female IPS Union Connection



TYPE NO.	LBS.
88250	3

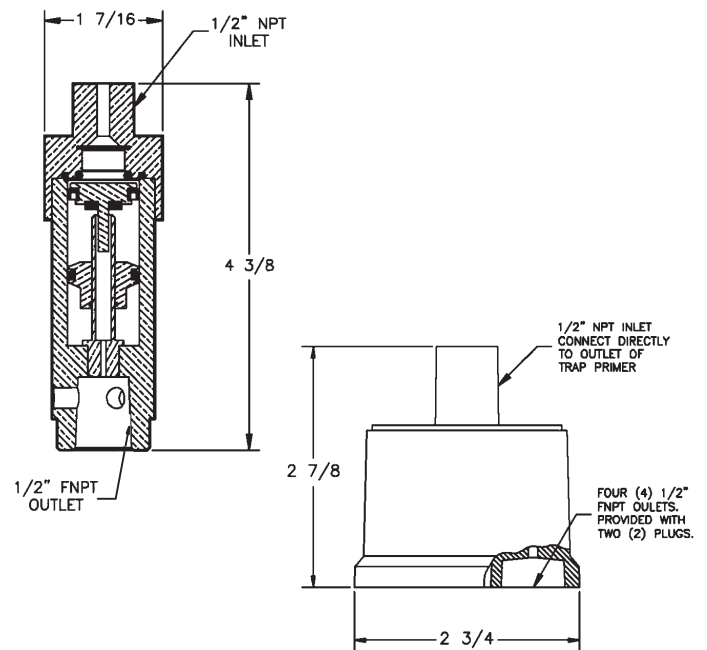
88300 SERIES TRAP PRIMER VALVE & DISTRIBUTION UNIT

APPLICATION

For use with two to four tapped floor drains in locations where infrequent use or other conditions might permit the water seal to evaporate, allowing sewer gas or objectionable and contaminating odors to escape through the drain. The trap primer valve is connected to a cold water supply line and sends a precise amount of water, with each use, to the trap to compensate for evaporation and ensure maintenance of a water seal in the trap at all times.

SPECIFICATION

JOSAM 88300 Series all bronze trap primer valve with 1/2" N.P.T. inlet, integral back-flow preventer, vacuum breaker ports and 1/2" F.N.P.T. outlet for connection to plastic distribution unit for two to four plumbing fixtures.



TYPE NO.	LBS.
88300	1.5

MISC., TRAPS & ACCESS.