

88400 SERIES

NO-HUB SPIGOT ADAPTER

APPLICATION

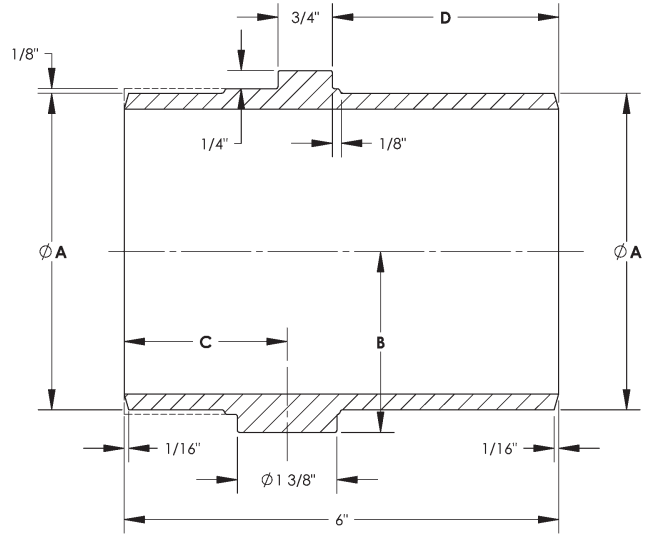
For use when extending no-hub bottom outlet or accepting water from trap primer connection through optional primer tap.

SPECIFICATION

JOSAM 88400 Series coated cast iron Spigot Adapter with no-hub by no-hub connections.

Available Options

- 40 Galvanized Cast Iron Parts
- 49 3/4" Primer Tap
- 50 1/2" Primer Tap



TYPE NO.	A	B	C	D	LBS.
88402	2-5/16	1-13/32	2-3/4	2-3/4	3
88403	3-3/8	1-15/16	2-1/2	3	5
88404	4-3/8	2-1/2	2-5/16	3	5
88406	6-5/16	3-1/2	2-1/4	3-1/4	8
88408	8-7/16	4-1/2	2	3-1/2	14

88450 SERIES

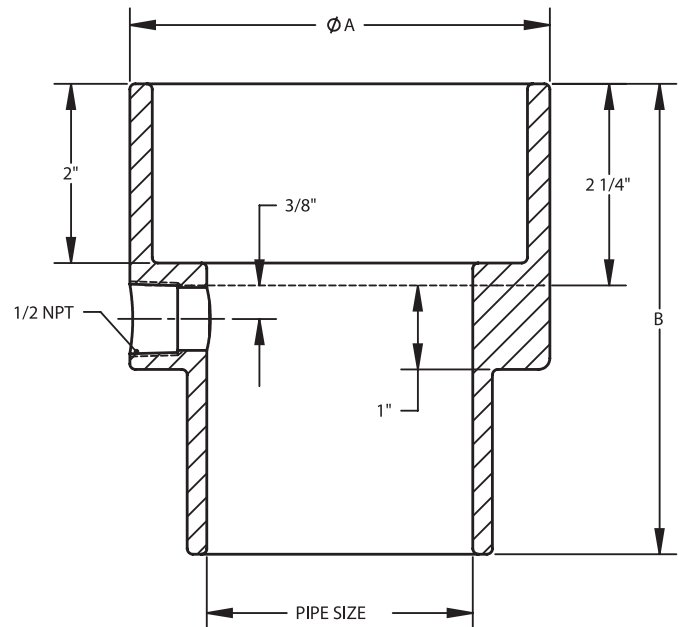
TRAP PRIMER ADAPTER

APPLICATION

For use when accepting water from trap primer connection through optional low-profile primer tap adapter when drain body is not tapped.

SPECIFICATION

JOSAM 88450 Series coated cast iron trap primer adapter with no-hub by gasketed hub connections.



TYPE NO.	PIPE SIZE	A	B	LBS.
88452	2	3-5/8	5	4
88453	3	4-3/4	5-1/4	5
88454	4	5-3/4	5-3/4	6