

**88550 SERIES HUB ADAPTER, THREADED OUTLET**

**APPLICATION**

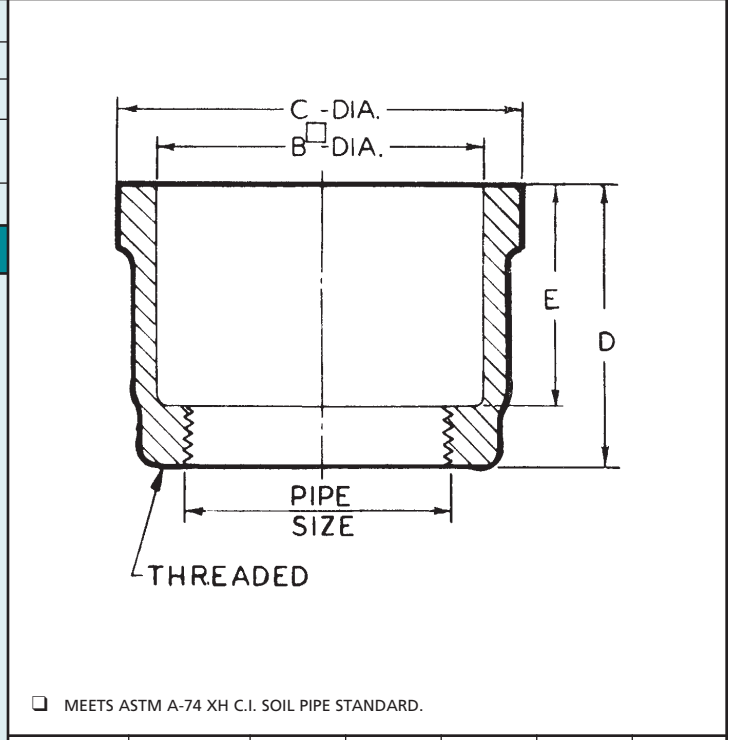
For use when converting from male threaded connection to bell or hub for caulking.

**SPECIFICATION**

JOSAM 88550 Series coated cast iron Hub Adapter with standard cast iron soil pipe hub and female threaded outlet.

**Available Option**

-40 Galvanized Cast Iron Parts



TYPE NO.	PIPE SIZE	B □	C	D	E	LBS.
88553	3	4-1/4	5-1/4	3	2-1/4	5
88554	4	5-3/8	6-1/4	2-7/8	2-3/8	5
88555	5	6-1/4	7-1/4	3-1/2	2-7/8	7
88556	6	7-1/2	8-1/4	3-5/8	3	8

**88560 SERIES HUB ADAPTER, THREADED OUTLET**

**APPLICATION**

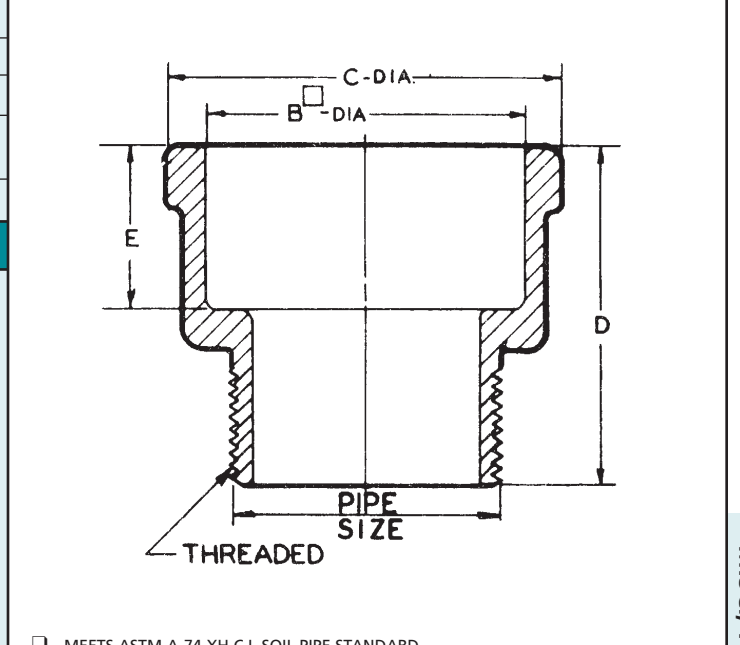
For use when converting from female threaded connection to bell or hub for caulking.

**SPECIFICATION**

JOSAM 88560 Series coated cast iron Hub Adapter with standard cast iron soil pipe hub and male threaded outlet.

**Available Option**

-40 Galvanized Cast Iron Parts



TYPE NO.	PIPE SIZE	B □	C	D	E	LBS.
88562	2	3	3-7/8	4	2-1/4	4
88563	3	4-1/4	5-1/8	4-1/4	2-3/8	5
88564	4	5-1/4	6-1/8	4-3/8	2-3/8	6
88565	5	6-1/4	7-1/8	4-3/8	2-3/8	7
88566	6	7-1/4	8	4-3/8	2-3/8	8
88568	8	9-1/4	10-1/2	4-3/8	2-1/4	11

MISC., TRAPS & ACCESS.