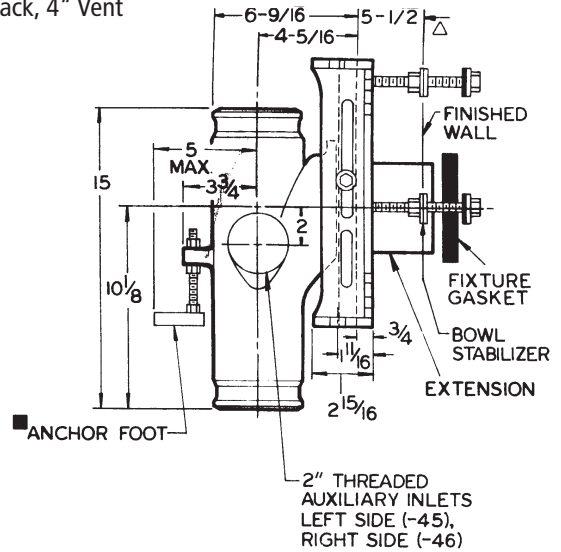
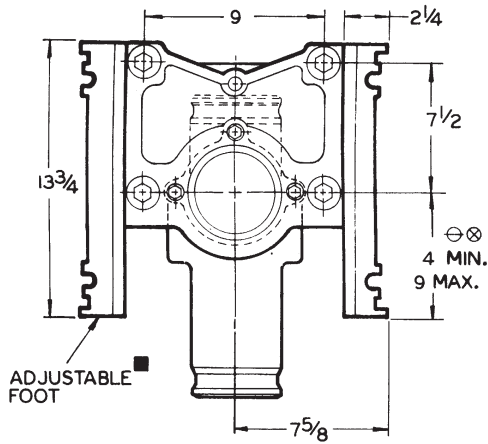


**VERTICAL 4" NO-HUB, CLOSE, SINGLE**

**14464**

**APPLICATION:** For use with Siphon Jet or Blowout Closets in No-Hub piping systems where single compact on-stack fitting with 4" vent and vertical flow is desired.

Single Fitting, On Stack, 4" Vent



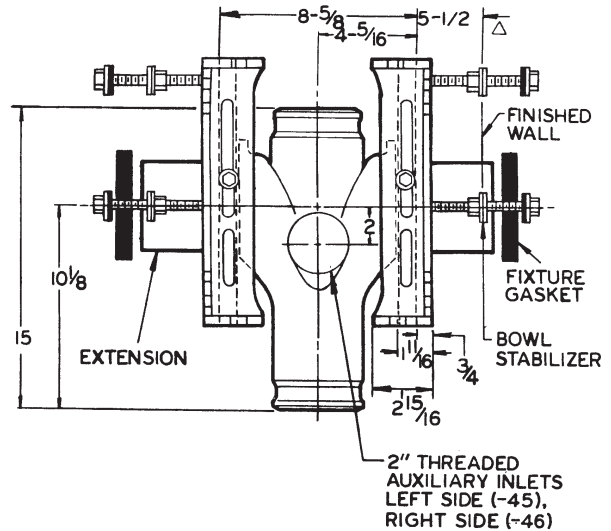
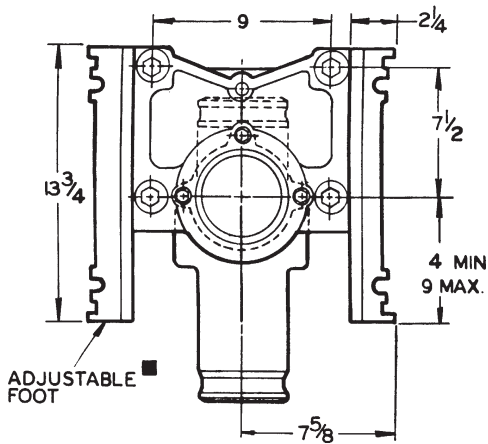
52 LBS.

**VERTICAL 4" NO-HUB, CLOSE, BACK-TO-BACK**

**14484**

**APPLICATION:** For use with Siphon Jet Closets in No-Hub piping systems where back-to-back compact on-stack fitting with vertical flow is desired.

Back-to-Back Fitting, 4" Vent, for Siphon Jet Closets Only



82 LBS.

**OPTIONS & NOTES**

- SD Special Duty 500 lb. Carrier
- VP Vandal-Proof Trim
- 1 Positioning Frame
- 6 Supply Pipe Support (Specify Type of Pipe)
- 10 ABS Extension, through 10-1/2" Wall
- 24 Carrier for Floor-Mounted, Back-Outlet China Bowls
- 30 Cast Iron Adjustable Extension with Connector
- 30-2 Cast Iron Adjustable Extension with Connector and Test Cap Assembly
- 45 Threaded Left-Hand Auxiliary Inlet
- 46 Threaded Right-Hand Auxiliary Inlet

RECOMMENDED ALL FEET BE SECURED TO FLOOR WITH 1/2" BOLTS AND ANCHORS BY OTHERS.

DIM. SHOWN IS FOR SIPHON JET. BLOWOUT IS: 11" MIN. & 16-1/2" MAX.

FOR ROUGHING OVER 6" FOR SIPHON JET OR 12-1/2" FOR BLOWOUT, SPECIFY ON ORDER.

FOR DIM. SHORTER THAN 5-1/2" (1" MIN.) CUT EXT. SPECIFY -10 FOR LONGER EXT. (10-1/2" MAX.)