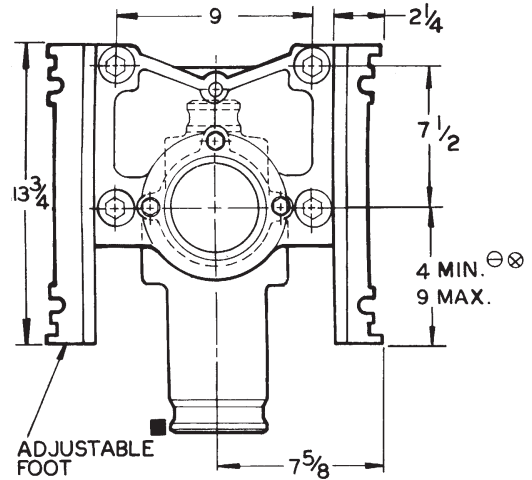
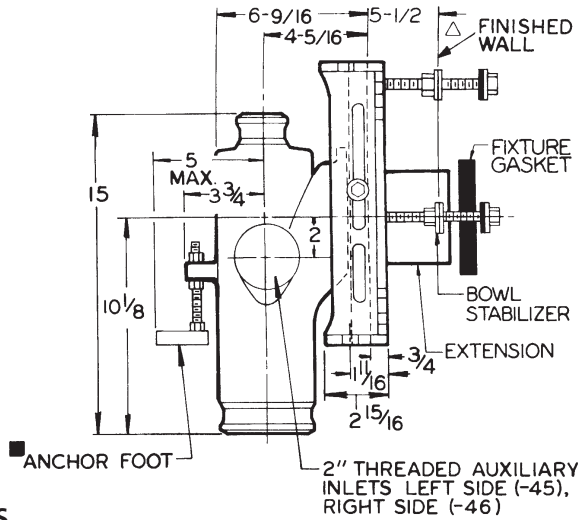


VERTICAL 4" NO-HUB, CLOSE, SINGLE

14504

APPLICATION: For use with Siphon Jet or Blowout Closets in No-Hub piping systems where single compact on-stack fitting with 2" vent and vertical flow is desired.

Single Fitting, On Stack, 2" Vent



82 LBS.

OPTIONS & NOTES

- | | | | |
|-----|--|-------|---|
| -SD | Special Duty 500 lb. Carrier | -24 | Carrier for Floor-Mounted, Back-Outlet China Bowls |
| -VP | Vandal-Proof Trim | -30 | Cast Iron Adjustable Extension with Connector |
| -1 | Positioning Fram | -30-2 | Cast Iron Adjustable Extension with Connector and Test Cap Assembly |
| -6 | Supply Pipe Support (Specify Type of Pipe) | -45 | Threaded Left-Hand Auxiliary Inlet |
| -10 | ABS Extension, through 10-1/2" Wall | -46 | Threaded Right-Hand Auxiliary Inlet |

■ RECOMMENDED ALL FEET BE SECURED TO FLOOR WITH 1/2" BOLTS AND ANCHORS BY OTHERS.

DIM. SHOWN IS FOR SIPHON JET. BLOWOUT IS: ⊕ 11" MIN. & 16-1/2" MAX.

⊗ FOR ROUGHING OVER 6" FOR SIPHON JET OR 12-1/2" FOR BLOWOUT, SPECIFY ON ORDER.

△ FOR DIM. SHORTER THAN 5-1/2" (1" MIN.) CUT EXT. SPECIFY -10 FOR LONGER EXT. (10-1/2" MAX.)