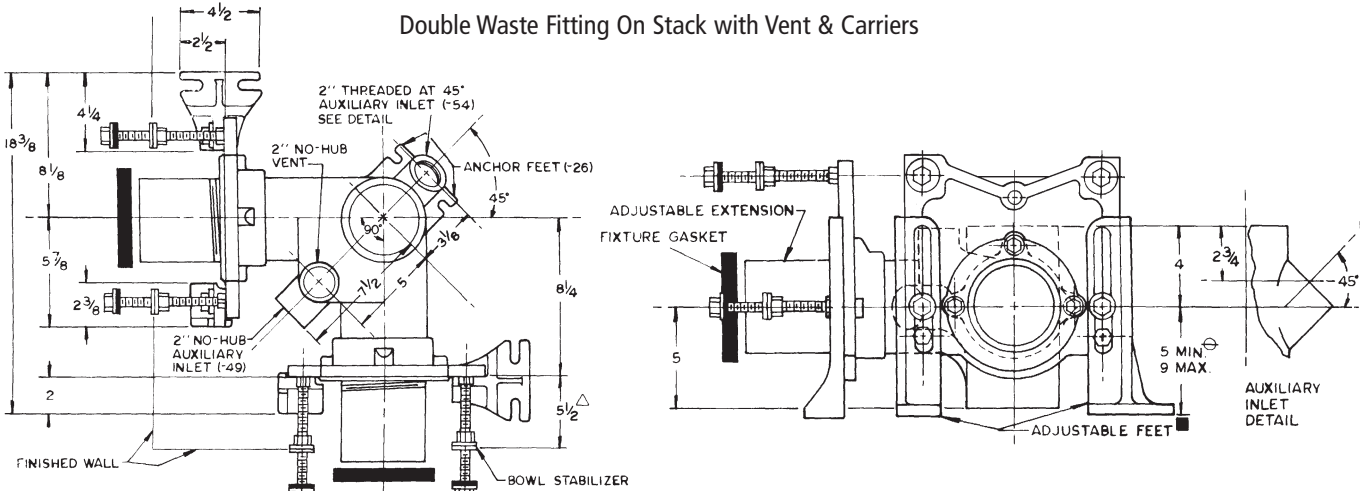


VERTICAL NO-HUB, 90° INSTITUTIONAL FITTING

15964

APPLICATION: For use with Siphon Jet or Blowout Closets in No-Hub piping systems where 90-degree double waste fitting with vent, auxiliary inlet and vertical flow is desired such as in prisons.

SPECIFICATION: JOSAM 15964 Series coated cast iron vertical 4" no-hub double waste 90° Stack Fitting with 4" closet branches, 2" no-hub vent, with close closet carriers invertible for siphon jet or blowout closets, ABS extensions with integral test caps, buttress feet, plated hardware and fixture gaskets.



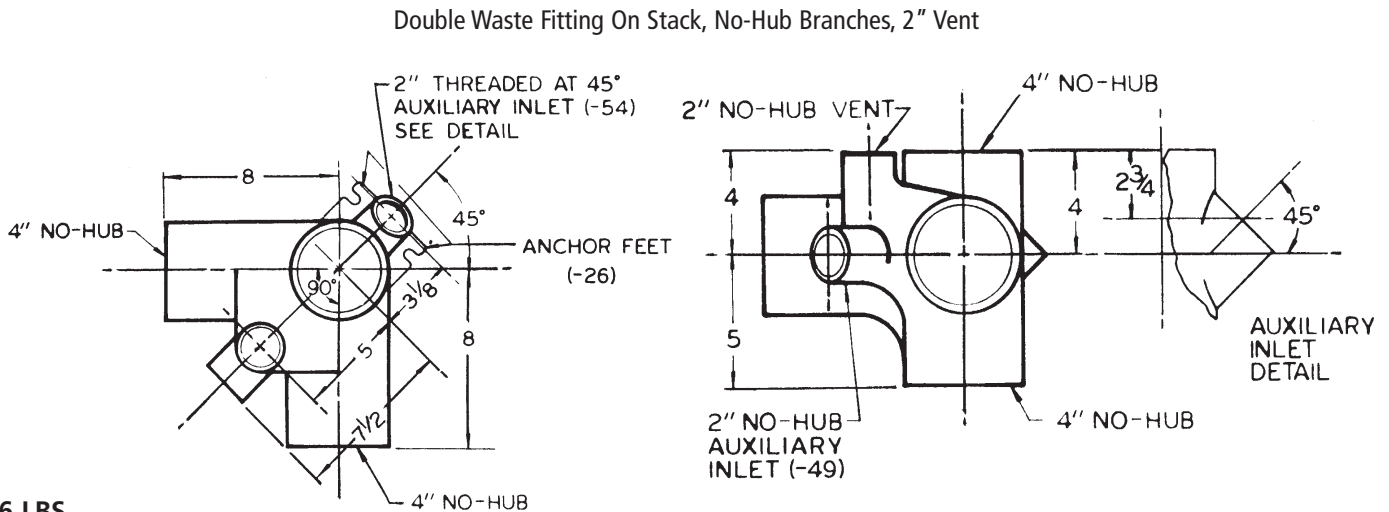
90 LBS.

VERTICAL NO-HUB, 90° INSTITUTIONAL FITTING

15984

APPLICATION: For use with Siphon Jet or Blowout Closets in No-Hub piping systems where 90-degree double waste fitting with vent, auxiliary inlet and vertical flow is desired such as in prisons. Fitting only, carrier trim by others.

SPECIFICATION: JOSAM 15984 Series coated cast iron vertical 4" no-hub double waste 90° Stack Fitting with 4" no-hub closet branches and 2" no-hub vent.



26 LBS.

OPTIONS & NOTES

		APPLICATIONS SERIES		APPLICATIONS SERIES	
		15964	15984	15964	15984
-VP	Vandal-Proof Trim	X	-	X	X
-1	Positioning Frame	X	-	X	-
-6	Supply Pipe Support (Specify Type of Pipe)	X	-	X	-
-10	ABS Extension, through 10-1/2" Wall	X	-	X	X
-24	Carrier for Floor-Mounted, Back-Outlet China Bowls	X	-	X	X
-26	Fitting Anchor Foot	-	-	X	X
-30	Cast Iron Adjustable Extension with Connector	-	-	X	-
-30-2	Cast Iron Adjustable Ext. w/Connector & Test Cap Assy.	-	-	X	-
-49	No-Hub High Auxiliary Inlet, Under Vent	-	-	X	X
-54	Threaded High Auxiliary Inlet, Opposite Vent	-	-	X	X

■ RECOMMENDED ALL FEET BE SECURED TO FLOOR WITH 1/2" BOLTS AND ANCHORS BY OTHERS.

DIM. SHOWN IS FOR SIPHON JET. BLOWOUT IS: ⌀ 11" MIN. & 16-1/2" MAX.

△ FOR DIM. SHORTER THAN 5-1/2" (1-3/4" MIN.) CUT EXT. SPECIFY -10 FOR LONGER EXT. (10-1/2" MAX.)