

## 17100 SERIES

## FLOOR-MOUNT, Concealed Arms

### APPLICATION

For use with lavatories punched for concealed arms where thin wall construction demands uprights that support the fixture completely independent of the wall.

### SPECIFICATION

JOSAM 17100 Series floor-mounted single Lavatory Carrier with concealed arms, leveling and securing screws, structural uprights and welded feet.

### Available Options

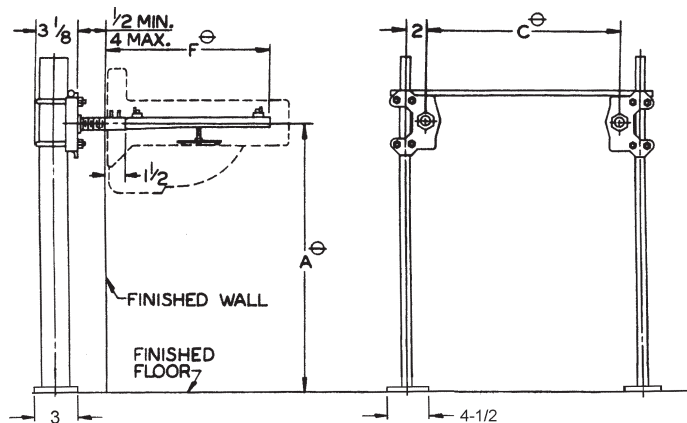
- ▼ -BB Back-to-Back Carrier
- ▼ -10 Extension Sleeves Longer Than Standard, Specify Wall Thickness
- ▼ -60 Valve Plate for Attaching to Upright
- ▼ -67 Concealed Arm Carrier for Wheelchair Lavatory
- ▼ -75 2" Chrome-Plated Escutcheons
- ▼ -76 4" Chrome-Plated Escutcheons
- ▼ -77 6" Chrome-Plated Escutcheons

STD. ADJUSTABLE SLEEVE 6-1/2"

⊖ VARIABLE - DEPENDS ON FIXTURE.

RECOMMEND ALL FEET BE SECURED TO FLOOR WITH 1/2" BOLTS AND ANCHORS BY OTHERS.

REUSABLE ALIGNMENT TOOL AVAILABLE. SEE PAGE 45.



43 LBS

## 17100-BB SERIES

## FLOOR-MOUNT, -BB Back-to-Back

### APPLICATION

For use with back-to-back lavatories punched for concealed arms where thin wall construction demands uprights that support the fixture completely independent of the wall.

### SPECIFICATION

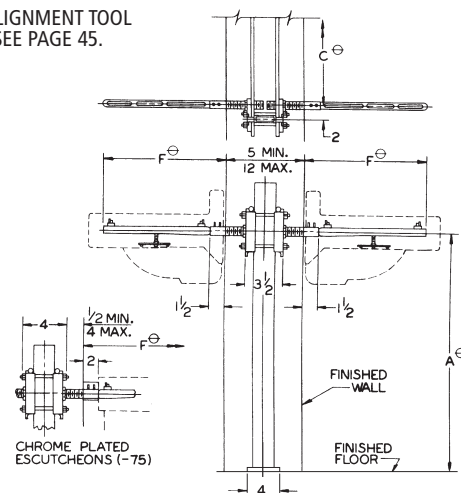
JOSAM 17100-BB Series floor-mounted, back-to-back Lavatory Carrier with concealed arms, leveling and securing screws, structural uprights and welded feet.

STD. ADJUSTABLE SLEEVE 6-1/2"

⊖ VARIABLE - DEPENDS ON FIXTURE.

RECOMMEND ALL FEET BE SECURED TO FLOOR WITH 1/2" BOLTS AND ANCHORS BY OTHERS.

REUSABLE ALIGNMENT TOOL AVAILABLE. SEE PAGE 45.



51 LBS

## 17120 SERIES

## WALL-MOUNT, Concealed Arms

### APPLICATION

For use with lavatories punched for concealed arms where wall construction will support the fixture and carrier assembly.

### SPECIFICATION

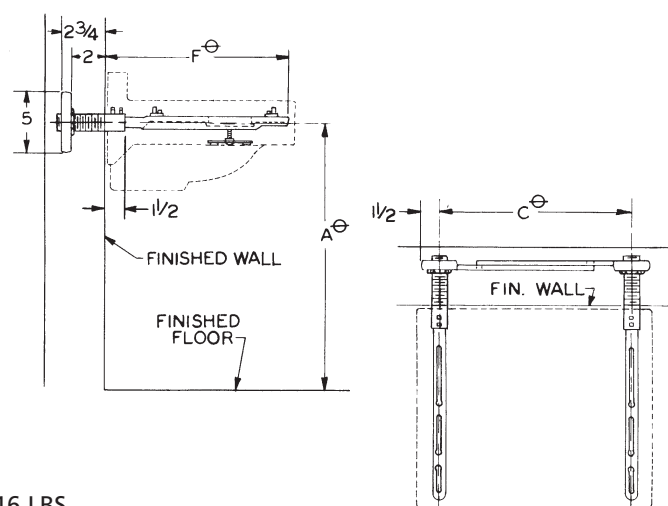
JOSAM 17120 Series wall-mounted, single Lavatory Carrier with concealed arms, leveling and securing screws and adjustable wall plate.

### Available Options

- ▼ -BP with Back Plates
- ▼ -MMB with Movable Mounting Brackets
- ▼ -10 Extension Sleeves Longer Than Standard, Specify Wall Thickness
- ▼ -75 2" Chrome-Plated Escutcheons
- ▼ -76 4" Chrome-Plated Escutcheons
- ▼ -77 6" Chrome-Plated Escutcheons

STD. ADJUSTABLE SLEEVE 4"

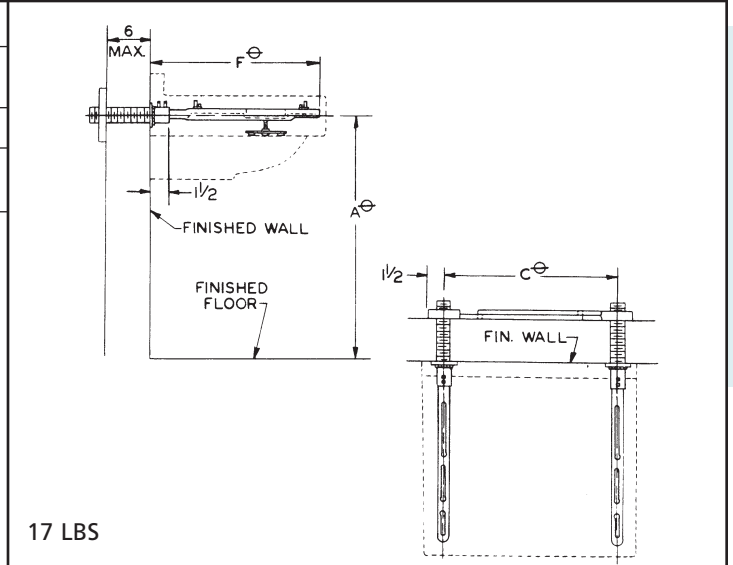
⊖ VARIABLE - DEPENDS ON FIXTURE.



16 LBS

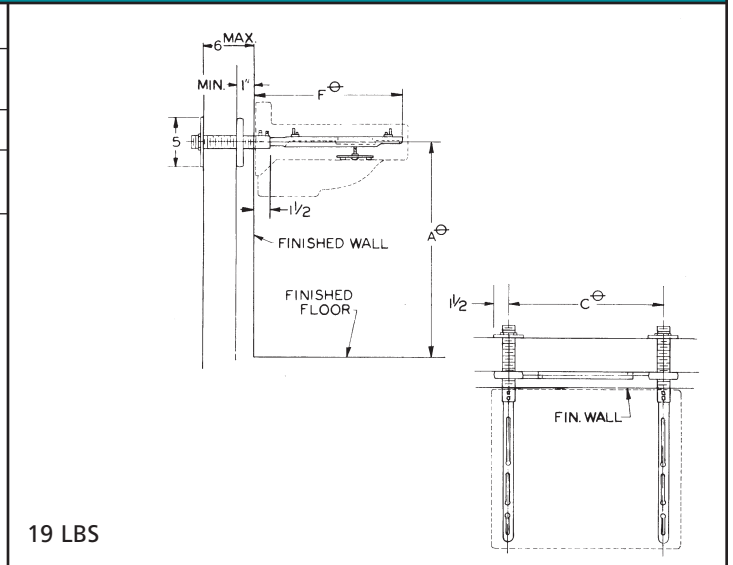
**17120-10 SERIES WALL-MOUNT with -10 Extension Sleeves Longer than Std.**

<b>APPLICATION</b>
For use with lavatories punched for concealed arms where wall construction will support the fixture and carrier assembly.
<b>SPECIFICATION</b>
JOSAM 17120-10 Series wall-mounted, single Lavatory Carrier with concealed arms, leveling and securing screws and adjustable wall plate.
<p>STD. ADJUSTABLE SLEEVE 8-1/2"</p> <p>⊖ VARIABLE – DEPENDS ON FIXTURE.</p>



**17120-BP SERIES WALL-MOUNT with -BP Back Plate**

<b>APPLICATION</b>
For use with lavatories punched for concealed arms where wall construction will support the fixture and carrier assembly.
<b>SPECIFICATION</b>
JOSAM 17120-BP Series wall-mounted, single Lavatory Carrier with concealed arms, leveling and securing screws, adjustable wall plate and back plate.
<p>STD. ADJUSTABLE SLEEVE 8-1/2"</p> <p>⊖ VARIABLE – DEPENDS ON FIXTURE.</p>



**17120-MMB SERIES WALL-MOUNT with -MMB Movable Mounting Brackets**

<b>APPLICATION</b>
For use with lavatories punched for concealed arms where wall construction will support the fixture and carrier assembly.
<b>SPECIFICATION</b>
JOSAM 17120-MMB Series wall-mounted, single Lavatory Carrier with concealed arms, leveling and securing screws and movable mounting brackets for securing to wall plate by others.
<p>STD. ADJUSTABLE SLEEVE 6-1/2"</p> <p>⊖ VARIABLE – DEPENDS ON FIXTURE.</p>

