

17125 SERIES

WALL-MOUNT, Concealed Arms

APPLICATION

For use with lavatories punched for concealed arms where wall construction will support the fixture and carrier assembly.

SPECIFICATION

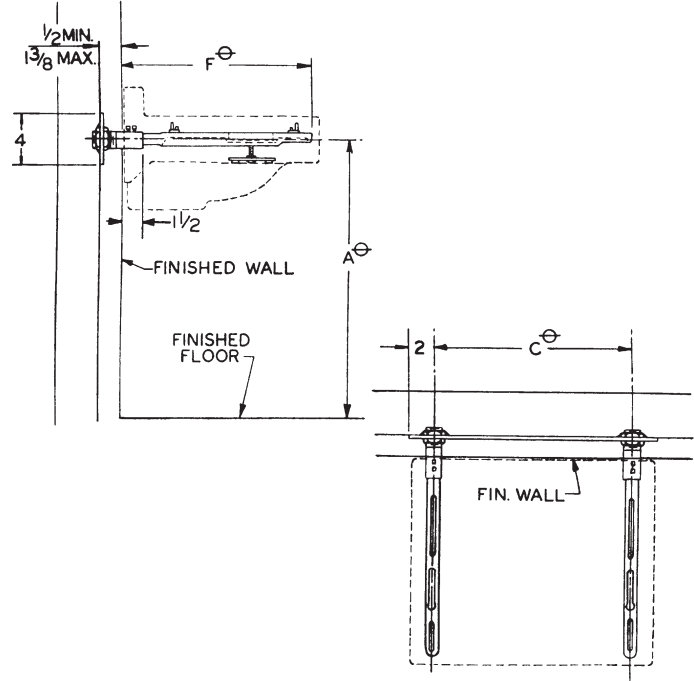
JOSAM 17125 Series wall-mounted, single Lavatory Carrier with concealed arms, leveling and securing screws and steel plate for attaching to studs.

Available Options

- 10 Extension Sleeves Longer Than Standard, Specify Wall Thickness
- 75 2" Chrome-Plated Escutcheons

STD. ADJUSTABLE SLEEVE 4"

⊖ VARIABLE – DEPENDS ON FIXTURE.



12 LBS

17380 SERIES

FLOOR-MOUNT, Exposed Arms

APPLICATION

For use with lavatories designed for heavy-duty exposed arms where thin wall construction demands uprights that support the fixture completely independent of the wall.

SPECIFICATION

JOSAM 17380 Series floor-mounted, single Lavatory Carrier with exposed acid-resisting white coated arms, leveling and securing screws, structural uprights, welded feet and chrome-plated trim.

Available Options

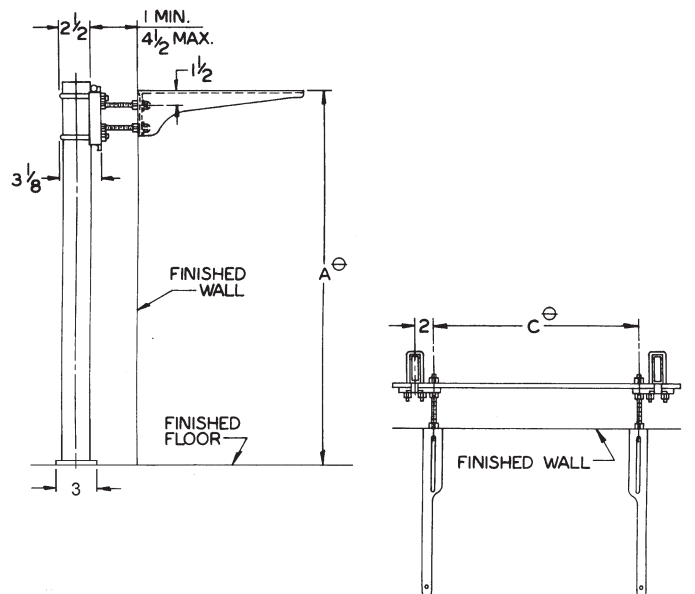
- ▼ -BB Back-to-Back Carrier
- ▼ -HD Heavy-Duty
- VP Vandal-Proof Trim
- 10 Hardware for Walls Over 4-1/2", Specify Wall Thickness
- 60 Valve Plate for Attaching to Upright
- 66 Split Header for Stainless Steel Arms

⊖ VARIABLE – DEPENDS ON FIXTURE.

RECOMMEND ALL FEET BE SECURED TO FLOOR WITH 1/2" BOLTS AND ANCHORS BY OTHERS.

REUSABLE ALIGNMENT TOOL AVAILABLE. SEE PAGE 45.

WGT 19 LBS
WGT 19 LBS



49 LBS