

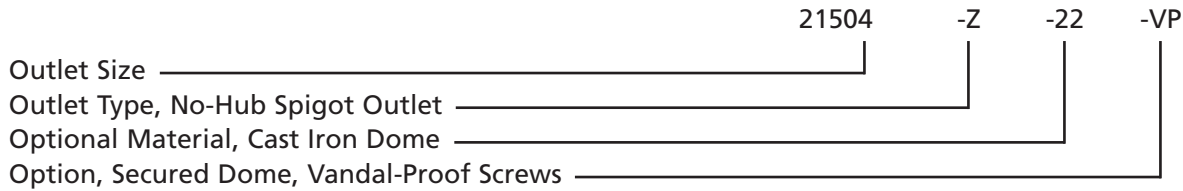
# ROOF DRAINS

## How To Order Roof Drains

Unless optional materials are specified, standard material shown in Specification will be provided. Last digit indicates outlet size.

EXAMPLE: Series No. 21500

Type No. 21504



## Drain Receivers

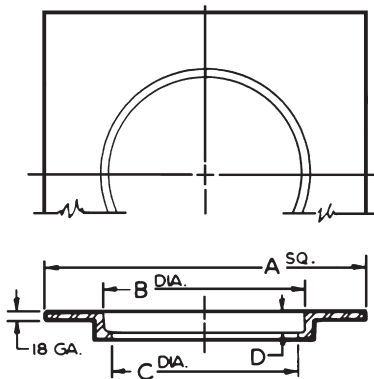
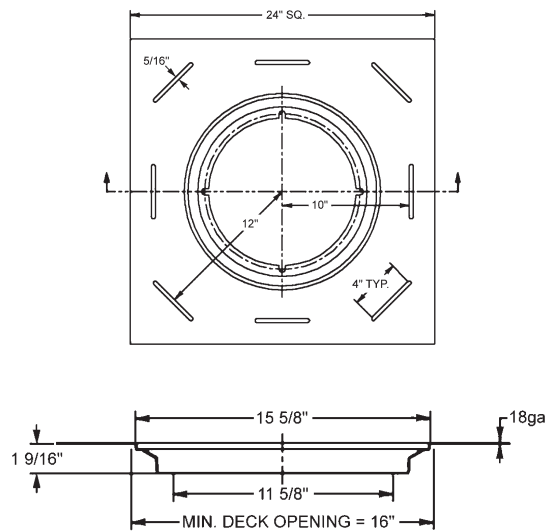


TABLE OF DIMENSIONS

SERIES NO.	A	B	C	D
21500	24	15-1/2	14-9/16	21/64
22010	20	12-1/4	11-1/2	21/64
22080	16	9-1/2	7-1/2	47/64



DRAIN SERIES	APPLICABLE DRAIN RECEIVER						
	OUTLET SIZE						
	2	3	4	5	6	8	10
21500	21500 21500-CR	21500 21500-CR	21500 21500-CR	21500 21500-CR	21500 21500-CR	21500 21500-CR	21500 21500-CR
22010	22010	22010	22010	22010	22010		
22080	22080	22080	22080				
23710	22010	22010	22010	22010	22010		
23730	22080	22080	22080				
23740	22080	22080	22080				
25500	21500 21500-CR	21500 21500-CR	21500 21500-CR	21500 21500-CR	21500 21500-CR	21500 21500-CR	
25520	22010	22010	22010	22010	22010		
25540	22080	22080	22080				
28600	21500 21500-CR	21500 21500-CR	21500 21500-CR	21500 21500-CR	21500 21500-CR	21500 21500-CR	