

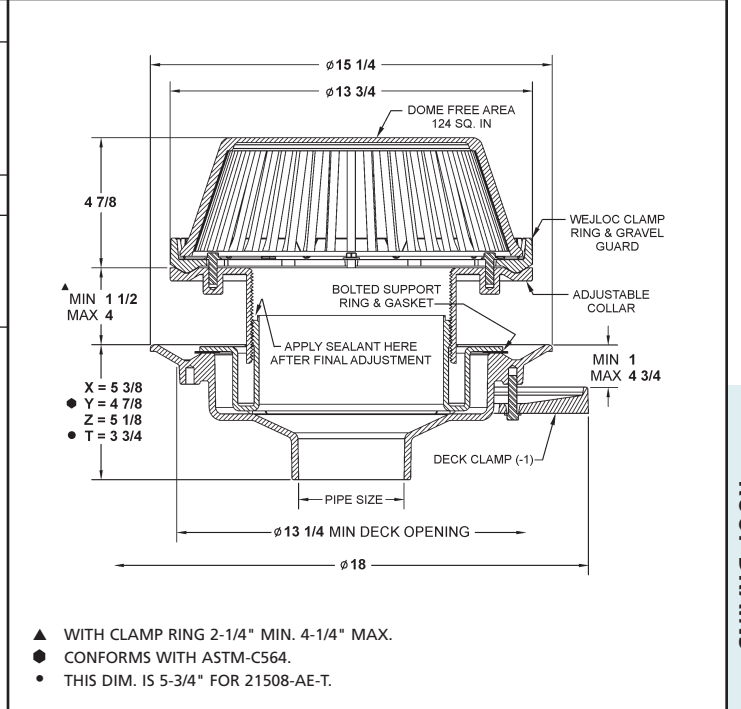
21500-AE SERIES LARGE SUMP with -AE Threaded Adjustable Extension

APPLICATION

Used on roofs of any size, for any type of construction. Large slotted dome provides maximum free area for quick drainage of rainwater and protects the drain sump and connected piping from debris. WEJLOC® compression flashing clamp holds the membrane or flashing securely to the drain body. LEVELEZE® adjustable extension accommodates insulation of variable thickness.

SPECIFICATION

JOSAM 21500-AE Series coated cast iron LEVELEZE® Roof Drain, large polypropylene locking dome, WEJLOC® non-puncturing clamp ring with integral gravel stop, bolted support ring, adjustable top with wide roof flange, large sump with anchor flange and bottom outlet.



- ▲ WITH CLAMP RING 2-1/4" MIN. 4-1/4" MAX.
- CONFORMS WITH ASTM-C564.
- THIS DIM. IS 5-3/4" FOR 21508-AE-T.

FOR OUTLET TYPE SPECIFY -T, -X, -Y or -Z

TYPE NO.	PIPE SIZE	LBS.	TYPE NO.	PIPE SIZE	LBS.
21502-AE	2	60	21506-AE	6	58
21503-AE	3	59	21508-AE	8	61
21504-AE	4	59	21509-AE-Z	10†	62
21505-AE	5	58	†10" AVAILABLE IN NO-HUB ONLY.		

21500-AER SERIES LARGE SUMP with -AER Adjustable Ext. Using Threaded Rods

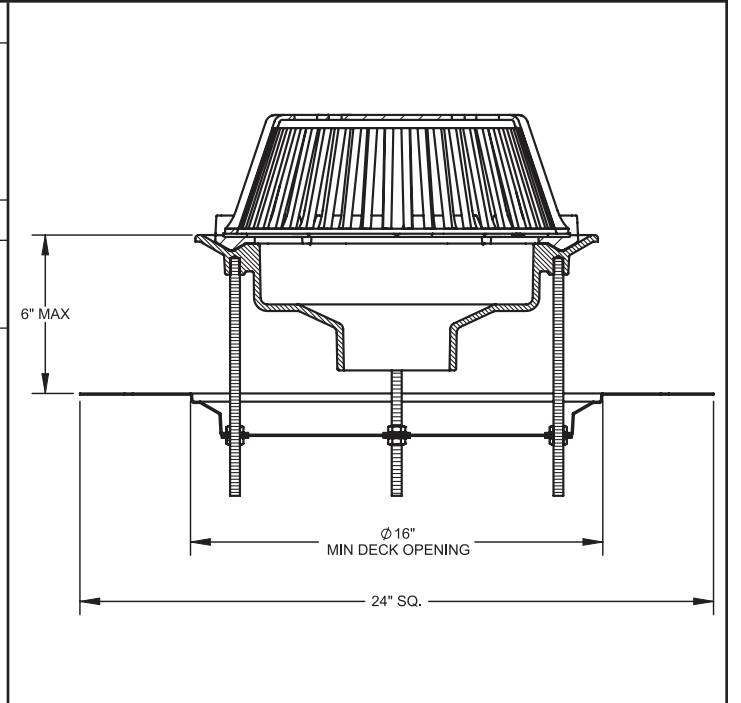
APPLICATION

Used on roofs of any size, for any type of construction. Large slotted dome provides maximum free area for quick drainage of rainwater and protects the drain sump and connected piping from debris. WEJLOC® compression flashing clamp holds the membrane or flashing securely to the drain body. Threaded rods attached to drain body and receiver permit the raising and lowering of roof drain body to meet the insulation thickness at the required elevation.

SPECIFICATION

JOSAM 21500-AER Series coated cast iron roof drain, large polypropylene locking dome, WEJLOC® non-puncturing clamp ring, large sump with adjustable extension rods, drain receiver and bottom outlet.

OPTIONS N/A:
-AE, -1, -1C, -2, -3, -3C, -4, -10, -10-20



FOR OUTLET TYPE SPECIFY -T, -X, -Y or -Z

TYPE NO.	PIPE SIZE	LBS.	TYPE NO.	PIPE SIZE	LBS.
21502-AER	2	44	21506-AER	6	48
21503-AER	3	45	21508-AER	8	50
21504-AER	4	46	21509-AER-Z	10†	51
21505-AER	5	47	†10" AVAILABLE IN NO-HUB ONLY.		