

## 21500-16 SERIES

## LARGE SUMP with -16 Internal Waterguard

### APPLICATION

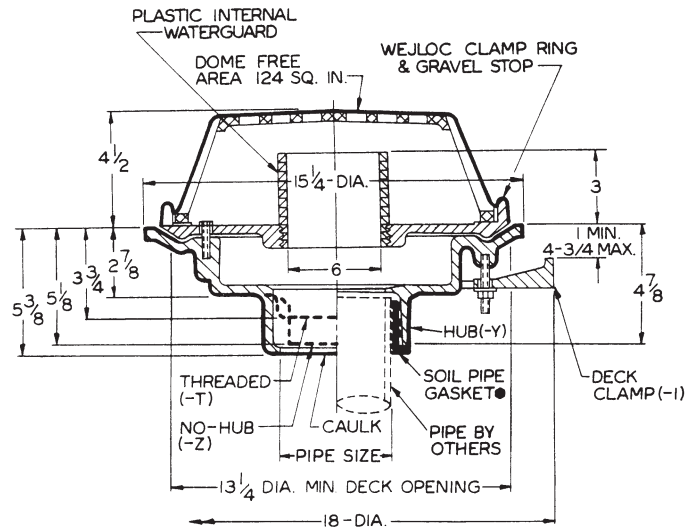
Used on roofs of any size, for any type of construction where constant flooding is required at a predetermined water depth. It may also be used on conventional roofs as a safety overflow, which receives water only when the build-up is greater than the height of the standpipe. Large slotted dome provides maximum free area for quick drainage of rainwater and protects the drain sump and connected piping from debris. WEJLOC® compression-flashing clamp holds the membrane or flashing securely to the drain body.

### SPECIFICATION

JOSAM 21500-16 Series coated cast iron Roof Drain, internal waterguard type, and large polypropylene locking dome. WEJLOC® non-puncturing clamp ring with integral gravel stop, secured plastic internal waterguard for 3" water depth and large sump with wide roof flange and bottom outlet.

#### OPTIONS N/A:

-4, -17



● CONFORMS WITH ASTM-C564.

FOR OUTLET TYPE SPECIFY -T, -X, -Y or -Z

TYPE NO.	PIPE SIZE	LBS.	TYPE NO.	PIPE SIZE	LBS.
21502-16	2	41	21505-16	5	44
21503-16	3	42	21506-16	6	45
21504-16	4	43			

## 21500-19 SERIES

## LARGE SUMP with -19 Perforated Stainless Steel Gravelguard

### APPLICATION

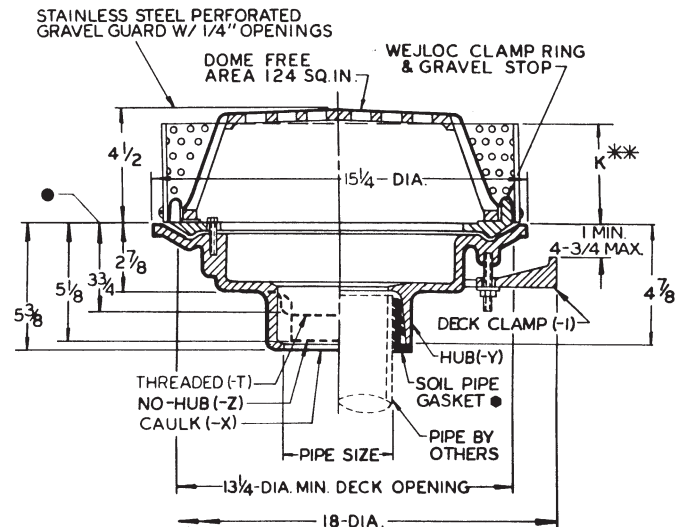
Used on flat roofs where gravel ballast is employed to anchor the membrane. Large slotted dome provides maximum free area for quick drainage of rainwater and protects the drain sump and connected piping from debris. WEJLOC® compression flashing clamp holds the membrane or flashing securely to the drain body. Perforated stainless steel gravel guard and restrains gravel ballast from dome and drain sump.

### SPECIFICATION

JOSAM 21500-19 Series coated cast iron Roof Drain, large polypropylene locking dome, WEJLOC® non-puncturing clamp ring with integral gravel stop and stainless perforated gravel guard and large sump with wide roof flange and bottom outlet.

#### OPTION N/A:

-4



● CONFORMS WITH ASTM-C564.

• THIS DIM IS 5-3/4" FOR 21508-19-T.

\*\* "K" DIM. SPECIFY ON ORDER, 4" MAX.

FOR OUTLET TYPE SPECIFY -T, -X, -Y or -Z

TYPE NO.	PIPE SIZE	LBS.	TYPE NO.	PIPE SIZE	LBS.
21502-19	2	36	21506-19	6	40
21503-19	3	37	21508-19	8	42
21504-19	4	38	21509-19-Z	10†	43
21505-19	5	39			

†10" AVAILABLE IN NO-HUB ONLY.