

24040 SERIES MEDIUM SUMP, SUPER-FLO® Grate for Composition Deck

APPLICATION

Used on promenade roof decks or anywhere that an elastomeric or liquid applied waterproofing is to be used beneath a 2" pour of concrete or asphalt. Wide deck flange provides proper area for bonding of waterproofing material and distributes the drain's weight over a broad area for positive support. Mid-sized, round medium-duty SUPER-FLO® Grate assures rapid drainage and protects drain and connected piping from debris. The 2" extension ensures that the grate and rim are flush with the finished deck covering.

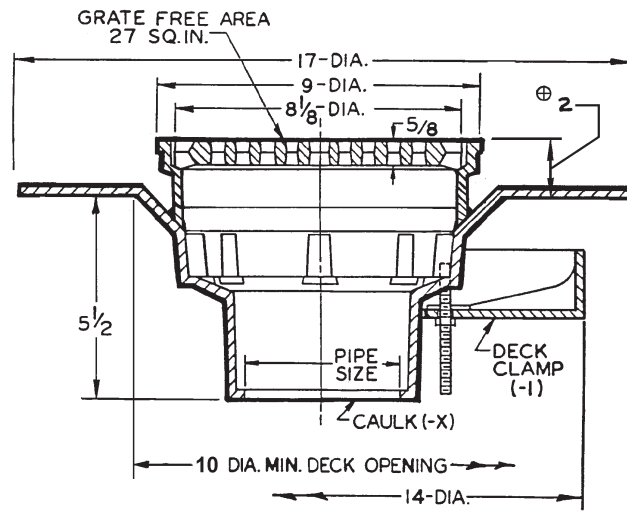
SPECIFICATION

JOSAM 24040 Series coated cast iron SUPER-FLO® Roof Drain, round medium-duty anti-tilting grate with perimeter drainage slots, extension, medium sump with 4" wide deck flange and bottom outlet inside caulk connection.

Available Options

- | | |
|---|------------------------------|
| -1 Deck Clamp Assembly | -38 Less Grate |
| -20 Galvanized Cast Iron Parts | -50 Satin Finish Nikaloy Top |
| -29 Sediment Bucket, Cast Iron | -51 Satin Finish Bronze Top |
| -29-20 Sediment Bucket, Galvanized | -VP Vandal-Proof Grate |
| -31 Chain Anchored Grate | OUTLET: |
| -36 Ductile Iron Grate (Cast Iron Top Only) | -X Inside Caulk Outlet |

- 24040 SLOT WIDTH 3/8"
 24040-50 SLOT WIDTH 3/16"
 24040-51 SLOT WIDTH 3/16"



⊕ ADD 1/4" WHEN FURNISHED WITH NIKALOY OR BRONZE TOP.

FOR OUTLET TYPE SPECIFY -X

| TYPE NO. | PIPE SIZE | LBS. |
|----------|-----------|------|
| 24042 | 2 | 30 |
| 24043 | 3 | 30 |
| 24044 | 4 | 30 |

24050 SERIES LARGE SUMP, Special Duty Garage Drain

APPLICATION

Used in parking garages or docks for heavy traffic, where an elastomeric or liquid applied waterproofing is to be applied beneath a 2" pour of concrete or asphalt. Wide deck flange provides proper area for bonding of composition roof deck covering and distributes the drain's weight over a broad area for positive support. Large diameter, round special-duty grate assures rapid drainage and protects drain and connected piping from debris. The 2" extension ensures that the grate and rim are flush with the finished deck covering.

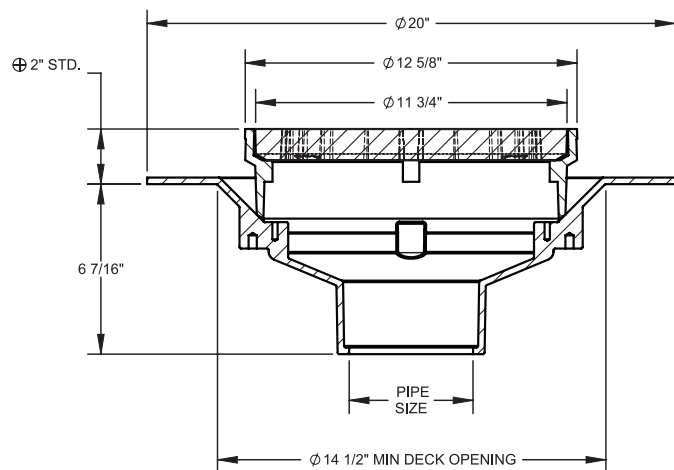
SPECIFICATION

JOSAM 24050 Series coated cast iron Garage Drain with wide support flange, weep-holes, round special-duty grate and bottom outlet inside caulk connection.

Available Options

- | | |
|---|---|
| -1 Deck Clamp Assembly | -36 Ductile Iron Grate (Cast Iron Top Only) |
| -12 Extended Flashing Collar, Cast Iron, (Specify Hgt.) 1" Std. | -50 Satin Finish Nikaloy Top |
| -20 Galvanized Cast Iron Parts | -51 Satin Finish Bronze Top |
| -29 Sediment Bucket, Cast Iron | -VP Vandal-Proof Grate |
| -29-20 Sediment Bucket, Galvanized | OUTLET: |
| -31 Chain Anchored Grate | -X Inside Caulk Outlet |

- 24050 SLOT WIDTH 1/2"
 24050-50 SLOT WIDTH 1/4"
 24050-51 SLOT WIDTH 1/4"



GRATE FREE AREA 61 SQ. IN.
 ⊕ ADD 1/4" WHEN FURNISHED WITH NIKALOY OR BRONZE TOP.

FOR OUTLET TYPE SPECIFY -X

| TYPE NO. | PIPE SIZE | LBS. |
|----------|-----------|------|
| 24054 | 4 | 61 |
| 24056 | 6 | 61 |
| 24058 | 8 | 61 |