

24720 SERIES

PARAPET TYPE, Angle Grate

APPLICATION

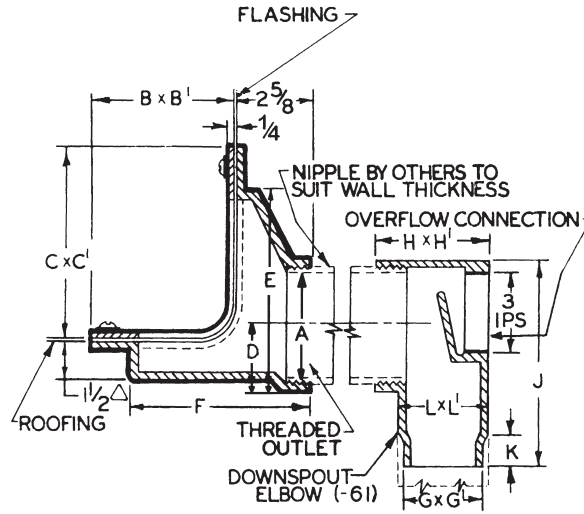
Used at the junction of the roof and the parapet where perimeter or emergency roof drainage through a threaded side outlet is required. Angle grate provides ample drainage and is slotted to prevent entrance of debris. Flashing and membrane are positively secured to the drain body with a compression clamp.

SPECIFICATION

JOSAM 24720 Series coated cast iron Roof Drain, parapet type, secured angle grate integral with flashing clamp, shallow sump with flashing flange and side outlet threaded connection.

Available Options

▼ -45	Body with 45 Degree Threaded Outlet	-51	Satin Finish Bronze Grate
-20	Galv. Cast Iron Parts	-61	Downspout Elbow, Cast Iron
-23	Rough Bronze Grate	-61-20	Downspout Elbow, Galvanized
-24	Rough Nikaloy Grate	-VP	Vandal Proof Grate
-50	Satin Finish Nikaloy Grate		



△ DIM. 7/8" ON 2", 3" AND 4" SIZES.

FOR OUTLET TYPE SPECIFY -T

TYPE NO.	A	GRATE FREE AREA SQ. IN.	BxB1	CxC1	D	E	F	GxG1	HxH1	J	K	LxL1	LBS.
24722	2	25.9	4-1/2x11	6-1/2x11	1-1/2	6-3/8	5-5/8	3x5-1/8	4-1/8x5-1/4	7-3/8	1-1/4	3-1/4x5-1/4	26
24723	3	25.9	4-1/2x11	6-1/2x11	2-1/8	6-3/8	5-5/8	3x5-1/8	4-1/8x5-1/4	7-3/8	1-1/4	3-1/4x5-1/4	26
24724	4	25.9	4-1/2x11	6-1/2x11	2-5/8	6-3/8	5-5/8	3x5-1/8	4-1/8x5-1/4	7-3/8	1-1/4	3-1/4x5-1/4	26
24725	5	41.3	5-1/2x13	7-1/2x13	3-1/2	8-1/8	6-5/8	4x6-1/8	5x7-1/2	10-3/4	1-3/4	4-1/4x7-1/2	34
24726	6	41.3	5-1/2x13	7-1/2x13	3-1/2	8-1/8	6-5/8	4x6-1/8	5x7-1/2	10-3/4	1-3/4	4-1/4x7-1/2	34

24720-45 SERIES

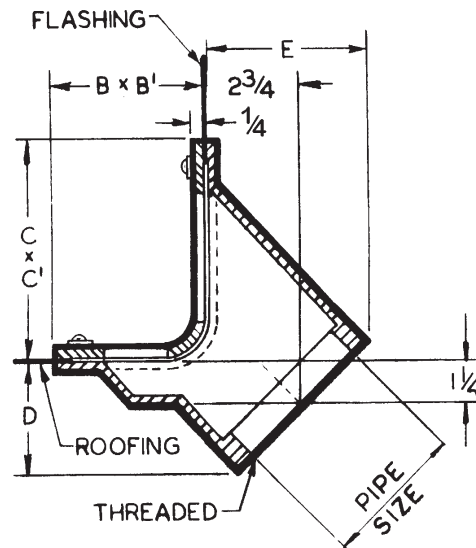
PARAPET TYPE, Angle Grate, 45° Outlet

APPLICATION

Used at the junction of the roof and the parapet to provide perimeter or emergency roof drainage where a threaded 45° outlet is required. Angle grate provides ample drainage and is slotted to prevent entrance of debris. Flashing and membrane are positively secured to the drain body with a compression clamp.

SPECIFICATION

JOSAM 24720-45 Series coated cast iron Roof Drain, parapet type, secured angle grate integral with flashing clamp and shallow sump with flashing flange and 45° side outlet threaded connection.



FOR OUTLET TYPE, SPECIFY -T.

TYPE NO.	PIPE SIZE	GRATE FREE AREA SQ. IN.	BxB1	CxC1	D	E	LBS.
24722-45	2	25.9	4-1/2X11	6-1/2X11	2-1/4	3-7/8	24
24723-45	3	25.9	4-1/2X11	6-1/2X11	2-5/8	4-1/4	25
24724-45	4	25.9	4-1/2X11	6-1/2X11	3	4-5/8	26
24725-45	5	41.3	5-1/2X13	7-1/2X13	3-1/2	5	30
24726-45	6	41.3	5-1/2X13	7-1/2X13	3-5/8	5-1/2	32