

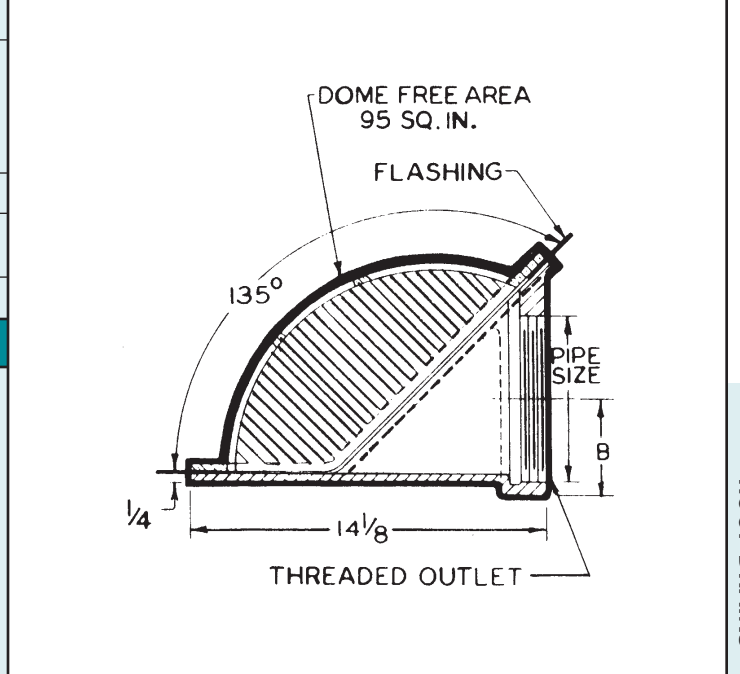
**24900 SERIES PARAPET TYPE, Angle Dome**

**APPLICATION**  
 Used at the junction of the roof and the parapet where perimeter or emergency drainage of rainwater is required and a 135° cant is specified. Extra-large sloping grate provides ample drainage and is slotted to prevent entrance of debris. Flashing and membrane are positively secured to the drain body with a compression clamp, with threaded side outlet.

**SPECIFICATION**  
 JOSAM 24900 Series coated cast iron Roof Drain, parapet type, secured bronze dome integral with flashing clamp, flashing flange and side outlet threaded connection.

**Available Options**

- 20 Galvanized Cast Iron Parts
- 24 Rough Nikaloy Dome
- 50 Satin Finish Nikaloy Dome
- 51 Satin Finish Bronze Dome
- 61 Downspout Elbow, Cast Iron
- 61-20 Downspout Elbow, Galvanized
- VP Vandal-Proof Dome



FOR OUTLET TYPE SPECIFY -T			
TYPE NO	PIPE SIZE	B	LBS.
24902	2	1-5/8	58
24903	3	2-3/16	57
24904	4	2-11/16	55
24905	5	3-1/4	53
24906	6	3-3/4	50

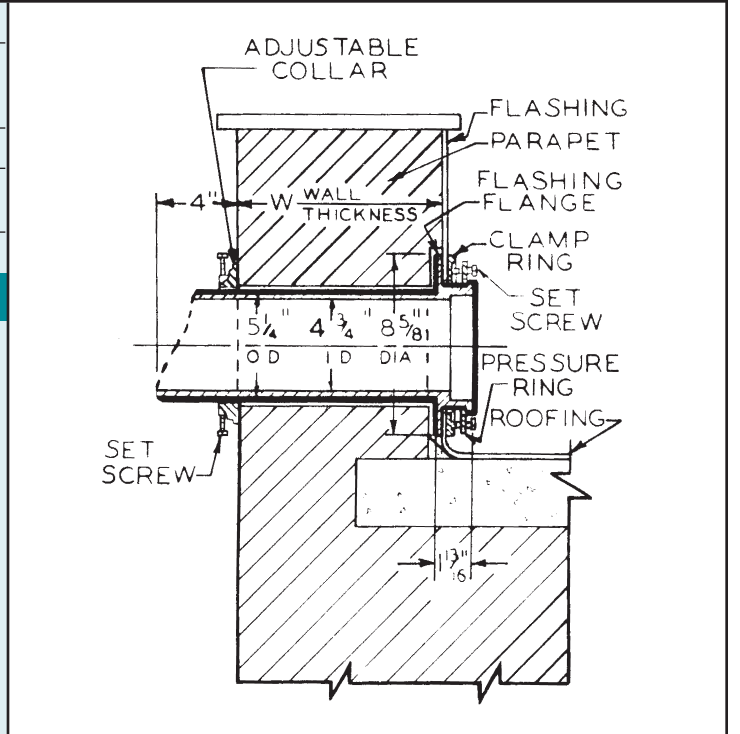
**25000 SERIES PARAPET SCUPPER SLEEVE**

**APPLICATION**  
 Used at the parapet wall as scupper for perimeter drainage or as an overflow drain. Sleeve may be flashed at parapet wall and is held firmly in place by the adjustable wall collar.

**SPECIFICATION**  
 JOSAM 25000 Series coated cast iron Roof Drain, parapet scupper-sleeve type, flashing clamp, tubular body with flashing flange and adjustable wall collar.

**Available Options**

- 20 Galvanized Cast Iron Parts
- 62 Ornamental Gargoyle, Cast Iron
- 62-20 Ornamental Gargoyle, Galvanized



TYPE NO.	W	LBS.
25001	9	26
25002	13	32
25003	17	38
25004	21	45

ROOF DRAINS