

25520 SERIES

MEDIUM SUMP, FLO-SEPTOR®

APPLICATION

Used on roof areas to receive wastewater from air conditioning units, cooling towers and other mechanical equipment installed on the roof. The solid water dam prevents storm water from entering the waste line. The internal dome strainer provides ample drainage and prevents entry of debris into the medium sump.

SPECIFICATION

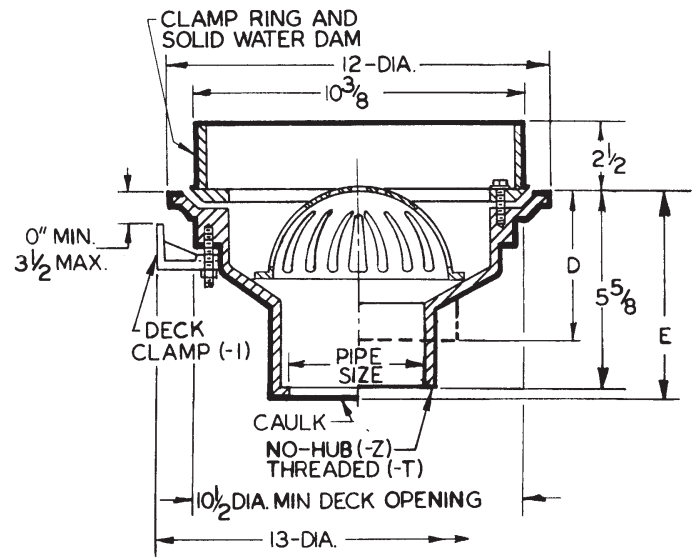
JOSAM 25520 Series coated cast iron FLO-SEPTOR® Roof Drain, cast iron internal dome strainer, combined non-puncturing clamp ring and solid water dam and medium sump with roof flange and bottom outlet.

Available Options

- 1 Deck Clamp Assembly
- 2 Drain Receiver
- 3 Deck Clamp Assembly and Drain Receiver
- 20 Galvanized Cast Iron Parts

OUTLETS:

- 66 No-Hub Side Outlet
- T Threaded Outlet
- X Inside Caulk Outlet
- Z No-Hub Spigot Outlet



FOR OUTLET TYPE SPECIFY -T, -X or -Z

TYPE NO.	PIPE SIZE	D	E	LBS.
25522	2	4-3/4	6-1/4	30
25523	3	4-3/4	6-1/4	30
25524	4	4-1/2	6-1/2	30
25525	5	4-3/8	6	30
25526	6	4	5-3/4	30

25540 SERIES

SMALL SUMP, FLO-SEPTOR®

APPLICATION

Used on roof areas to receive wastewater from air conditioning units, cooling towers and other mechanical equipment installed on the roof. The solid water dam prevents storm water from entering the waste line. The internal dome strainer provides ample drainage and prevents entry of debris into the small sump.

SPECIFICATION

JOSAM 25540 Series coated cast iron FLO-SEPTOR® Roof Drain, bronze internal dome strainer, combined non-puncturing clamp ring and solid water dam and small sump with roof flange and bottom outlet.

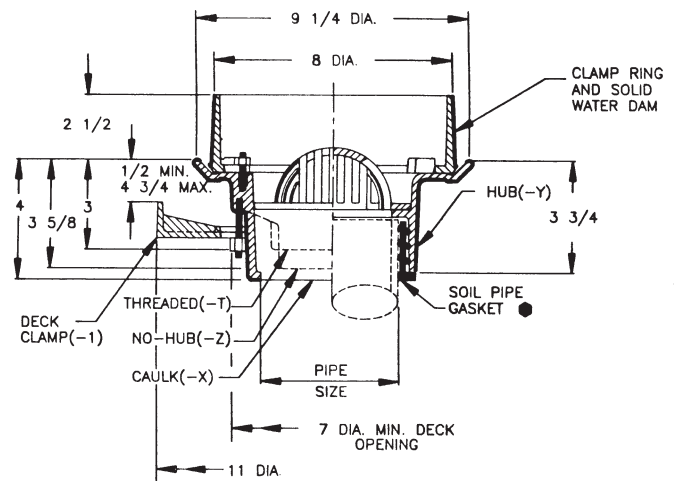
Available Options

- 1 Deck Clamp Assembly
- 2 Drain Receiver
- 3 Deck Clamp Assembly and Drain Receiver
- 20 Galvanized Cast Iron Parts

OUTLETS:

- *-TSO Threaded Side Outlet
- T Threaded Outlet
- X Inside Caulk Outlet
- Y Hub Outlet w/Gasket
- Z No-Hub Spigot Outlet

* Cannot be used with Drain Receiver.



● CONFORMS WITH ASTM-C564.

FOR OUTLET TYPE SPECIFY -T, -X, -Y or -Z

TYPE NO.	PIPE SIZE	LBS.
25542	2	16
25543	3	17
25544	4	17